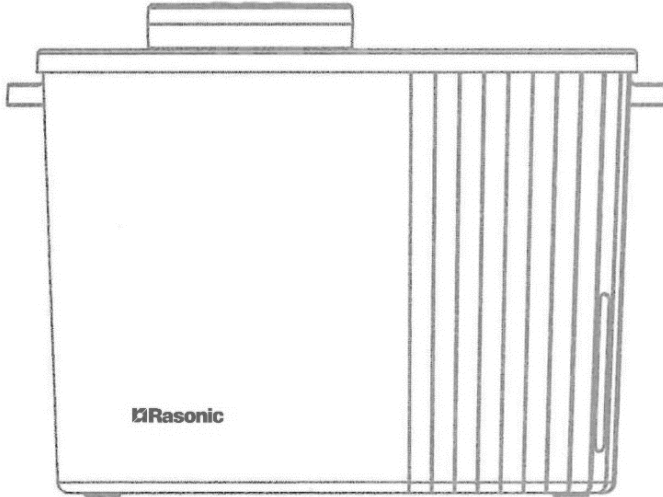


Rasonic
樂信牌

RVS-D11W

無線真空桶

Cordless Vacuum Storage



僅供家庭使用

For household use only

使用說明書

OPERATION MANUAL

在使用本產品前，請仔細閱讀此說明書，閱讀後小心保存，以備日後查閱。

Please read the operation manual carefully before using and well keep it in a safe place for future reference.

本說明書中的圖示可能與實物有不同的地方，僅供參考。

Some figures in the manual may not match with the real object, just for reference only.

非常感謝您選購樂信牌無線真空桶，在使用前請先詳細閱讀此說明書，並保存以備日後參考。

目錄

1. 安全注意事項
2. 保養、清潔及儲存
3. 產品規格
4. 產品結構
5. 使用說明
6. 充電方法
7. 故障排除
8. 特別聲明
9. 售後服務

1. 安全注意事項

使用本產品時，必須遵守下列安全預防措施：

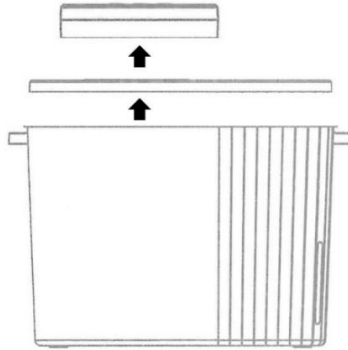
1. 本產品包含不可更換電池，應使用配套的 USB 充電線及 USB 充電插頭充電。
2. 當充電完成指示燈會熄滅，應立即拔除 USB 充電線。長時間充電，可能造成充電池過熱或燃燒等危險。
3. 充電期間，切勿離開本產品。
4. 使用前確保 USB 充電線及 USB 充電插頭已充分抹乾及使用時須插穩。
5. 切勿在 USB 充電線、USB 充電插頭及產品上放重物或讓其接觸灼熱的表面；切勿夾住、改裝、用力拉扯或扭曲 USB 充電插頭、USB 充電線及產品。
6. 切勿在 USB 充電線纏結的情況下為產品充電。
7. **警告！** 只能使用隨附的 USB 充電線及 USB 充電插頭替本產品充電。
8. 在插入或拔除 USB 充電插頭時，應用手握穩 USB 充電插頭，不要抓住 USB 充電線。
9. 切勿讓小孩在沒有監督下使用、清潔及維修保養本產品或玩耍器具。應將本產品、USB 充電線及 USB 充電插頭放於小孩及寵物不能接觸的地方。
10. 手濕時切勿組裝配件、接觸、插入或拔除 USB 充電線及 USB 充電插頭，否則可構成觸電的危險。

11. 為避免危險，充電時必須遠離以下地方：
 - 易燃物、噴霧劑及煙劑等周圍
 - 熱源（如散熱器）、火源或直接受陽光照射的地方
 - 近水的環境
 - 大量熱氣、蒸氣或潮濕的地方
12. 本產品可供年齡在 8 歲或以上的兒童及體質、感覺或智力有障礙人士或缺乏經驗和相關知識的人士使用，但他們必須曾經接受負責安全人士的監督或指導如何安全地使用本產品和理解所涉及的危險。
13. 切勿擅自改裝本產品或使用非生產商提供的零件修理，否則可造成危險及維修保養無效。
14. 經常檢查本產品、USB 充電線及 USB 充電插頭。為避免危險，如有損壞應立即停止使用，並聯絡信興電器服務中心有限公司進行檢查及維修。
15. 在清潔本產品、安裝或拆卸配件前，應確保 USB 充電線已從 USB 充電插頭拔掉並確保產品電源已關閉。
16. 切勿將本產品放置於書櫃、壁櫥或其他封閉的空間。確保本產品存放在通風良好的環境。
17. 禁止拆解、撞擊、擠壓或將本產品投入火中。
18. 若本產品出現嚴重膨脹，應立即停止使用，並聯絡信興電器服務中心有限公司安排檢查及維修。

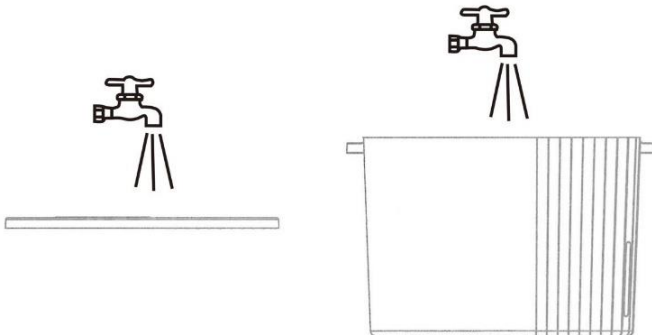
2. 保養、清潔及儲存

2.1 配件的拆除及清潔

注意！ 拆除配件前須確保抽真空機已關機，並為糧桶完全充氣。



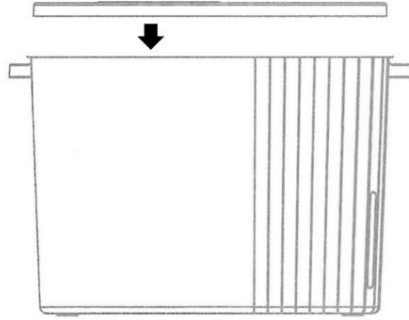
1. 將抽真空機按箭咀方面向向上提起，打開頂蓋，以清除糧桶內剩餘的糧食。



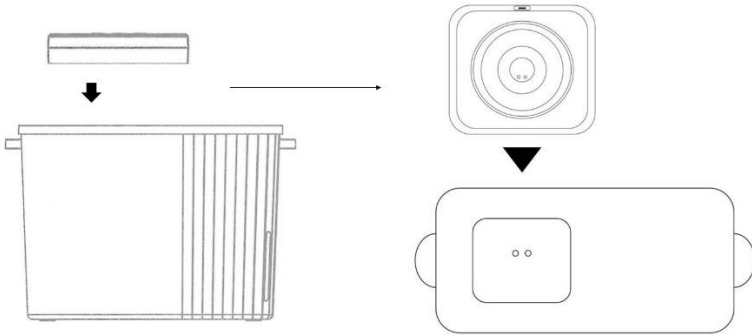
2. 可用清水及中性清潔劑清洗頂蓋及糧桶。

2.2 配件的組裝

注意！清潔後，須確保所有配件完全乾燥，以免食物發霉。



1. 加入糧食後，將頂蓋放置於糧桶之上。



2. 將抽真空機安裝於頂蓋上〔確保抽真空機為關機狀態〕。

注意！抽真空機底部有兩個氣孔，啟動真空機前必須確保與頂蓋的兩個氣孔互相貼合。

注意！組裝時須分外小心，慎防接合位置夾傷手指；確保所有配件已安裝穩妥，以防使用過程中鬆脫。

注意！抽真空機底部設有膠吸盤，放置時切勿屈摺，以免影響真空效果。

2.3 保養及儲存

備注！建議用戶定期清理本產品，否則灰塵及污垢過度積聚，有可能危害寵物健康。

1. 清潔前，必須確保產品已關閉，並清空糧桶和拆卸配件。
2. 切勿用水直接沖洗抽真空機。應使用柔軟濕布擦拭抽真空機表面。
3. 切勿用天拿水、汽油、去污粉、硬質刷或金屬刷等來清潔配件，以免刮花或腐蝕部件表面，致產生異味或滋生細菌。
4. 如長期不使用本產品，應拔掉 USB 充電線及 USB 充電插頭及拆除配件，於清潔後充分乾燥，然後套上塑膠袋，藏於乾爽及避免紫外光直接照射的環境。

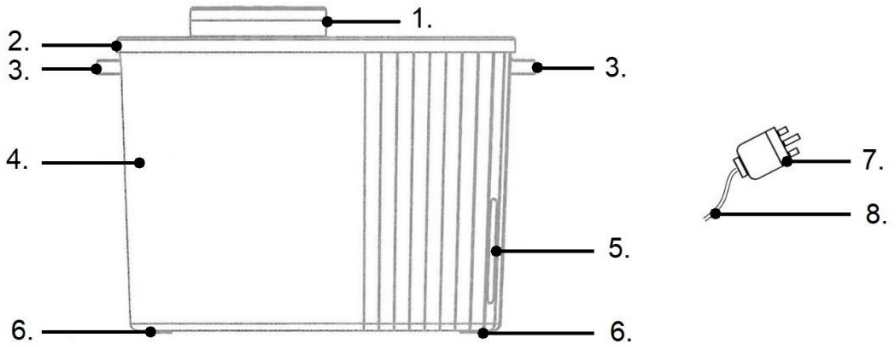
3. 產品規格

型號	RVS-D11W
額定電壓/ 電流	5.0 伏特= 1.0 安培
額定功率	5.0 瓦
充電電池種類	鋰離子電池
額定充電電池容量 (約)	2,600 毫安時
電源適配器輸入電壓/ 頻率/ 電流	100-240 伏特~ 50/60 赫茲 0.15 安培
電源適配器輸出電壓/ 電流/ 功率	5.0 伏特= 1.0 安培 5.0 瓦
充電時間 (約)	5 小時
使用時間 (約)	20 天*
產品尺寸 (闊 x 深 x 高) (約)	360 x 180 x 245 毫米
淨重 (約)	1.49 公斤

* 本產品可運行時間的長短會因充電電池溫度及其他使用條件而有所差異。

4. 產品結構

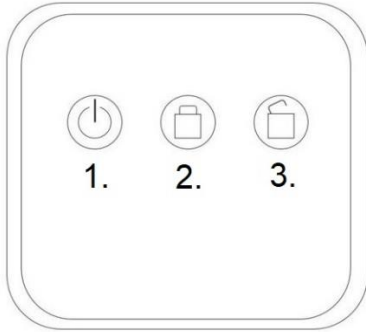
4.1 產品說明



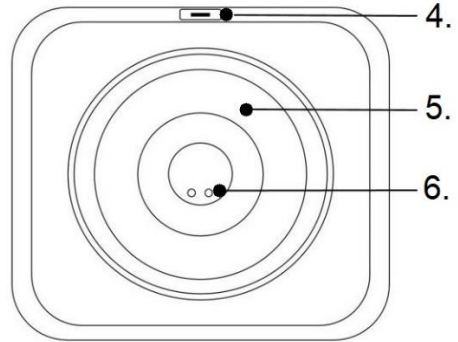
- | | |
|---------|-------------|
| 1. 抽真空機 | 5. 糧桶視窗 |
| 2. 頂蓋 | 6. 腳墊 |
| 3. 提手 | 7. USB 充電插頭 |
| 4. 糧桶 | 8. USB 充電線 |

4.2 抽真空機說明

正面



底部



- | | |
|------------|--------|
| 1. 【電源開關】鍵 | 4. 充電口 |
| 2. 【上鎖】鍵 | 5. 吸盤 |
| 3. 【解鎖】鍵 | 6. 氣孔 |

5. 使用說明

5.1 首次使用前

1. 把本產品的包裝物料全部清除。如本產品的外殼上附有包裝袋，把包裝袋除去後才使用。切勿讓小孩或寵物玩弄包裝袋，否則可能會引致窒息及危險。
2. 徹底檢查本產品及配件有否損壞及裂痕。如有損壞，切勿安裝或使用本產品。
3. 首次使用前，徹底清洗頂蓋及糧桶。

5.2 使用前準備

1. 使用前，建議放置本產品於角落或靠牆位置。並放置於穩固、乾爽、抗熱及防水的表面上，以免發生意外。
2. 開啓電源前，須妥善安裝抽真空機與糧桶，安裝詳情可參考**章節 2.2 配件的組裝**。
注意！為免使用過程中寵物咬到 USB 電源線造成觸電，須小心蓋住或隱藏 USB 電源線。

5.3 操作本產品

按**章節 2.2 配件的組裝**，放入食物後，將抽真空機放於頂蓋的既定位置上〔**注意！**須對準氣孔〕。

1. 啟動抽真空機

- 長按【電源開關】鍵 1 秒，藍色指示燈會開始閃亮，產品進入待機狀態。

2. 鎖上頂蓋

- 待機狀態下，用手輕按真空機，按一下【上鎖】鍵，產品開始抽出糧桶內的空氣，過程約 90 秒；完成後，產品返回待機狀態，藍色指示燈會慢速閃動。
- 真空機開啟後相隔約 4 小時抽氣一次，以確保糧桶保持真空狀況。

3. 解鎖頂蓋

- 真空狀態下，長按【解鎖】鍵，產品會發出“呖”聲，然後開始為糧桶內的充氣。

4. 關閉抽真空機

- 待機狀態下，長按【電源開關】鍵約 5 秒，產品會發出“呖”聲長響，表示抽真空機已關閉。

注意！真空狀態下，切勿直接拔除抽真空機。

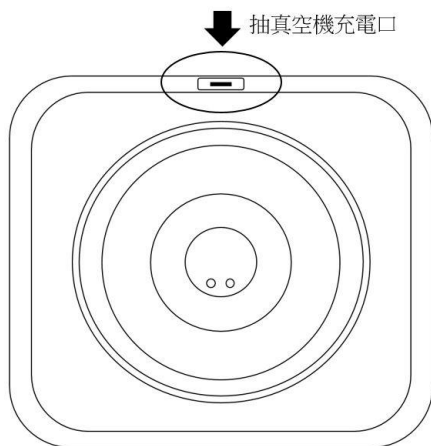
注意！閒置抽真空機時，應確保吸盤朝上。若吸盤不慎被吸住，切勿用力拔除，立即按【解鎖】鍵解鎖。

注意！時刻保持吸盤清潔再使用。

注意！為確保保鮮效果，抽真空時可輕壓抽真空機及頂蓋。

6. 充電方法

備註：首次使用，或者長時間不使用時，必須確保產品已完成充電後再使用。(切勿於充電時開啟本產品)



- 將 USB 充電線兩端分別連接 USB 充電插頭及抽真空機充電口，再將 USB 充電插頭接駁至電源，產品開始充電。
- 充電過程中，紅色指示燈會亮起；當充電完成，指示燈會熄滅。
- 必須使用隨附的 USB-充電線及 USB 充電插頭替本產品充電。

注意！必須拆除配件後才進行充電。

注意！首次使用前，必須將電池徹底充電。

注意！運作過程中，如紅色指示燈閃動，表示低電壓，須為產品充電後再使用。

注意！若長時間不使用本產品，須每三個月進行一次充電，以防止電池老化。

7. 故障排除

故障現象	原因	解決方法
產品不能運作。	檢查是否已開啟開關。	按下【電源開關】鍵。
產品紅色指示燈閃動。	產品電量不足。	重新將產品充電。
產品發出“吡吡”聲	上鎖失敗	檢查頂蓋及抽真空機的氣孔是否安穩貼合，並於產品抽氣時輕壓抽真空機及頂蓋以輔助。

如使用以上方法仍未能使產品恢復正常操作，切勿嘗試自行維修，應聯絡信興電器服務中心有限公司進行檢查及維修。

8. 特別聲明

1. 本資料上所有內容經過核對，如有任何印刷及內容上的誤解，本公司將保留解釋權。
2. 本產品若有技術改進，會編進新版說明書中，恕不另行通知；產品外觀、規格如有改動，則以製造商資料為準。
3. 如本資料之中英文版本有差異時，應以中文版為準。
4. 使用說明書的電子副本可以通過電子郵件發送致客戶，如有需要，可致電信興電工工程有限公司：2861 2767。

9. 售後服務

1. 由購買收據日期起之一年保修期內，經信興電器服務中心有限公司之服務人員證實產品故障屬於正常使用之情況下發生者，本公司將提供免費維修或更換零件服務。經更換之任何損壞零件，將歸屬本公司所有。保修範圍不包括修理或更換產品之損耗性零件等。
2. 用戶必須於維修時出示購買收據／換購收據及蓋有銷售點／換購中心印章的產品保修記錄卡。如有任何疑問，請致電信興電器服務中心有限公司熱線：2406 5666查詢。

Thank you for choosing Rasonic Cordless Vacuum Storage. Read the manual carefully before use and keep it for your future reference.

Table of Contents

1. Important Safeguards
2. Maintenance, Cleaning and Storage
3. Product Specifications
4. Product Descriptions
5. Operation Instructions
6. Charging
7. Troubleshooting
8. Special Avowal
9. After Sales Service

1. Important Safeguards

When using the appliance, follow below safety precautions:

1. The appliance contains batteries that are non-replaceable. Make sure to use the USB charging cable and USB adapter provided to charge the appliance.
2. When fully charged, the indicator will turn off. Remove the USB charging cable after fully charged. Charging for a long time may cause hazards such as rechargeable battery overheats and burn.
3. Do not leave the appliance unattended while it is charging.
4. Make sure the USB charging cable and USB adapter are dry before use and inserted firmly when use.
5. Do not put heavy objects on the USB charger cable, USB adapter and appliance or let it touch any hot surface. Never clip, modify, stretch or twist the USB charging cable, USB adapter and appliance.
6. Do not use the USB charging cable when it is tangle.
7. **WARNING!** For the purpose of recharging the battery, only use the USB charging cable and USB adapter that provided with the appliance.
8. Always hold the USB adapter tightly with hands when insert or remove it. Do not grasp USB charging cable.

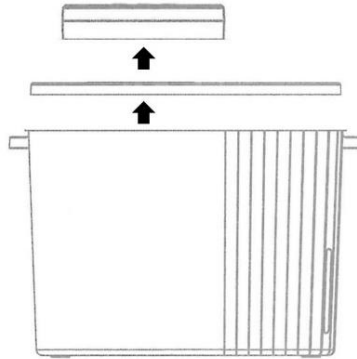
9. Children shall not play with the appliance. Using, cleaning and maintenance shall not be made by children without supervision. Put the appliance and its USB charging cable and adapter in a place not reachable by children or pet.
10. Never assemble accessories, touch, plug or unplug the USB charging cable and USB adapter with wet hands, otherwise it may cause electric shock.
11. To avoid danger, never charge the appliance near the environment of:
 - Flammable materials, sprays and aerosols
 - Heat source (e.g. radiator), fire or expose under direct sunlight
 - Near water
 - Massive hot air, steam or humid area
12. The appliance can be used by children aged from 8 years and above and person with reduced physical, sensory or mental capabilities, or lack of experience and knowledge, if they have been given supervision or instruction concerning use of the appliance in a safe way and understand the hazards involved.
13. Do not attempt to modify the appliance by yourself or repair with any parts that are unauthorized, otherwise it may cause hazards and warranty becomes invalid.

14. Always check the condition of the appliance and USB charging cable and USB adapter. To avoid hazards, please stop using it immediately if any damage is found. Please contact Shun Hing Electric Service Centre Limited for checking and repairing.
15. Remove the USB charging cable from USB adapter and power off the appliance before cleaning, installing or removing the accessories.
16. Do not place the appliance in a bookcase, built-in cabinet or in another confined space. Make sure this appliance stored in a well-ventilated environment.
17. Do not disassemble, impact, crush or throw this appliance into fire.
18. If the appliance has severe swelling, please stop using it immediately and contact Shun Hing Electric Service Centre Limited for checking and repairing.

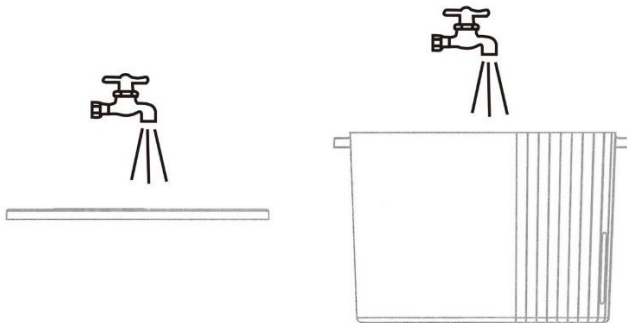
2. Maintenance, Cleaning and Storage

2.1 Disassembly and cleaning of accessories

CAUTION! Power off the vacuum machine before disassembling all accessories, and ensure the grain bucket is filled with air.



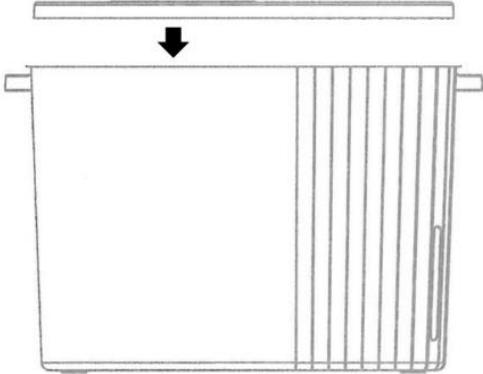
1. As the arrow stated above, lift the vacuum machine upwards to open the upper lid, and clear residue remained in the grain bucket.



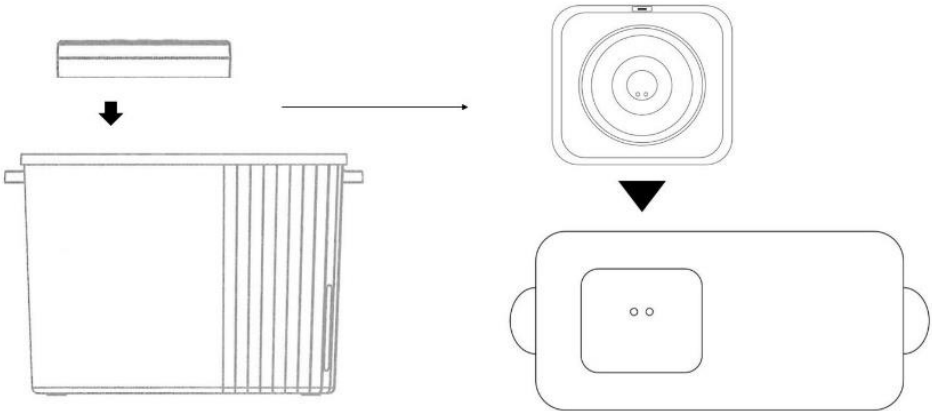
2. Make use of water and mild detergent to clean the upper lid and grain bucket.

2.2 Assembly accessories

CAUTION! After cleaning, to avoid food from getting moldy, make sure all accessories are completely dry before using.



1. Fill the grain bucket with food, and place the upper lid on top once finished.



2. Install the vacuum machine on top of the upper lid (make sure the vacuum machine is in OFF stage).

CAUTION! The air vent at the bottom of vacuum machine must align with the air vent of the upper lid before turning the power.

CAUTION! Pay attention during assembly, be careful not to pinch your finger at the joint, and make sure all the accessories are well-installed to avoid from detaching.

CAUTION! There is suction cup at the bottom of the vacuum machine. Make sure it is not inflected before use to avoid affecting vacuum effect.

2.3 Cleaning and Storage

Note: It is recommended that users clean the appliance regularly, as excessive accumulation of dust and residue could potentially harm the health of pets.

1. Before cleaning, make sure the appliance is powered off, with food in grain bucket and accessories are removed.
2. Do not rinse the vacuum machine with water. Use a damp, soft cloth to clean the surface of the vacuum machine.
3. Do not use lacquer thinner, gasoline, decontamination powder, hard brush or metal brush to clean the accessories, so as to avoid scratching and corroding the surface of the parts, resulting in odor or breeding of bacteria.

4. If the appliance is not in use for a long time, unplug the USB charging cable and USB adapter, and remove accessories. Put it in a plastic bag after cleaning and dried, and store it in a dry place and avoid direct ultraviolet light.

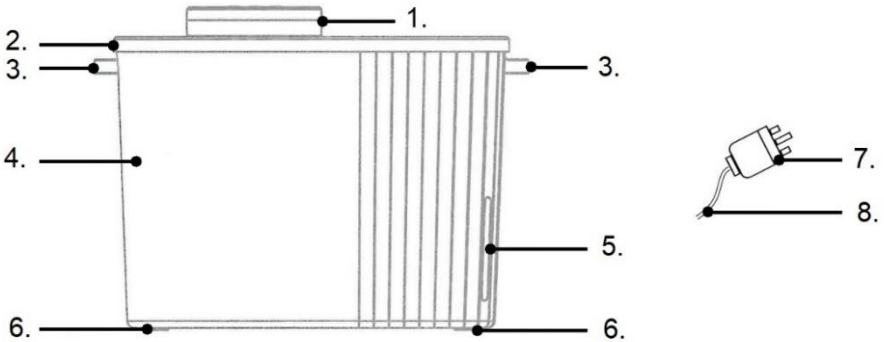
3. Product Specifications

Model no.	RVS-D11W
Rated Voltage/ Current	5.0V = 1.0A
Rated Power	5.0W
Type of Rechargeable Battery	Lithium-ion battery
Rated Rechargeable Battery Capacity	2,600 mAh
Adapter Input Voltage / Frequency/ Current	100-240V~ 50/60Hz 0.15A
Adapter Output Voltage / Current/ Power	5.0V= 1.0A 5.0W
Charging Time (Approx.)	5 hours
Operation Time (Approx.)	20 days*
Product Size (WxDxH) (Approx.)	360 x 180 x 245 mm
Net Weight (Approx.)	1.49 kg

* The length of operation time can be varied depending on the temperature of the battery and other usage conditions.

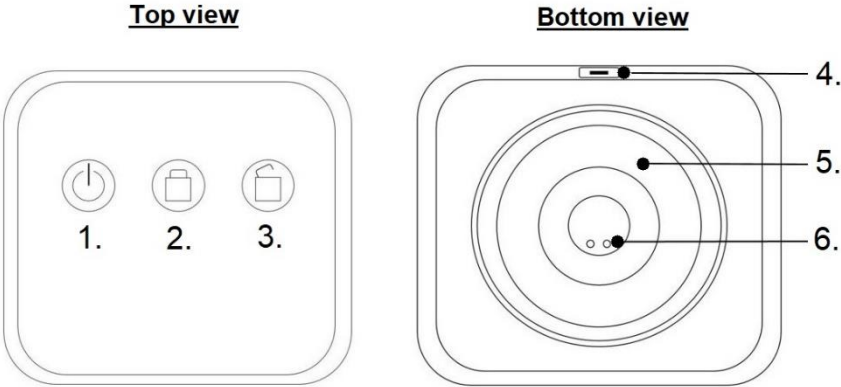
4. Product Descriptions

4.1 Product description



- | | |
|-------------------|------------------------|
| 1. Vacuum machine | 5. Grain bucket window |
| 2. Upper lid | 6. Foot pads |
| 3. Handle | 7. USB adapter |
| 4. Grain bucket | 8. USB charging cable |

4.2 Vacuum machine description



- 1. 【Power On/Off】 button
- 2. 【Lock】 button
- 3. 【Unlock】 button
- 4. Charging inlet
- 5. Suction cup
- 6. Air vent

5. Operation Instructions

5.1 Before First use

1. Remove all packaging materials from the appliance. If there is a packaging bag attached to the enclosure of the appliance, remove it before use. Do not let children or pets play with the packaging bag, as it may cause suffocation and danger.
2. Thoroughly check the appliance and accessories for any damage or cracks. Do not assembly or use the appliance if there is any damage.
3. Before the first use, clean the upper lid and grain bucket thoroughly.

5.2 Before Use

1. Before use, it is recommended to place the appliance in a corner or against a wall. Place it on a stable, dry, heat-resistant, and waterproof surface to prevent accidents.
2. Before power on the appliance, assembly the vacuum machine and grain bucket properly. Details can refer to **Chapter 2.2 Assembly accessories**.

CAUTION! To prevent pets from biting the USB power cord and causing electric shock, be careful to cover or hide the USB power cord.

5.3 Operation instructions

Refer to **Chapter 2.2 Assembly accessories**, with food placed inside the grain bucket and closed with upper lid, place the vacuum machine on the designated location on the lid (**ATTENTION!** All air vents must be aligned)

1. Power on the appliance

- Press and hold the **【Power On/Off】** button for a second, the blue indicator will flash indicating the appliance is in standby mode.

2. Lock the upper lid

- In standby mode, tap the vacuum machine on top and press the **【Lock】** button to start drawing the air out of the grain bucket. The process will take approx. 90 seconds. Once finished, the appliance will return to standby mode and blue indicator will flash slowly.
- After the vacuum machine is turned on, it will be operated approx. every 4 hours to ensure that the grain drum is kept in vacuum.

3. Unlock the upper lid

- In vacuum stage, long press the **【Unlock】** button, the appliance will have a “Bi” sound and the vacuum machine will start filling air into the grain bucket.

4. Power off the appliance

- In standby mode, long press the **【Power On/Off】** button for 5 seconds, the appliance will have a long “Bi” sound to remind user, indicating the appliance is powered off.

CAUTION! Do not attempt to take off the vacuum machine when the grain bucket is under vacuum stage.

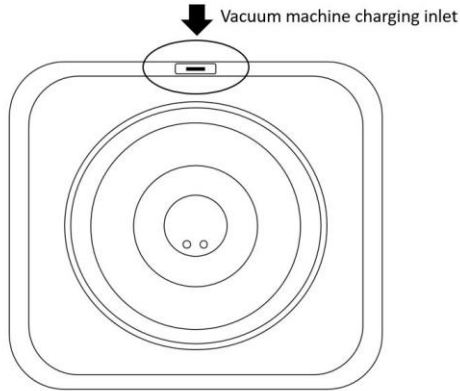
CAUTION! When idling the vacuum machine, make sure the suction cup is pointing upwards. If the suction cup is accidentally stuck, do not pull it out with force but press the **【Unlock】** button instead.

CAUTION! Keep the suction cup clean at all time.

CAUTION! To ensure the freshness preservation effect, you can press the vacuum machine and the upper lid lightly when vacuuming.

6. Charging

Note: Be sure to fully charge the battery before first time of use or when not in used for a long time. (**DO NOT** operate the appliance when charging)



- Connect the ends of the USB charging cable to the USB charging adapter and the charging inlet of the vacuum machine respectively, then connect the USB adapter to the power supply. The appliance starts to charge.
- The red indicator will light on when charging; and the indicator will turn off when charging is finished.
- Make sure to use the USB charging cable and USB adapter provided to charge the appliance.

CAUTION! Start charging when all accessories are disassembled.

CAUTION! Make sure to fully charge the appliance before the first time of use.

CAUTION! If red indicator is flashing when vacuuming, representing the appliance is out of battery. Operate the appliance after charging.

CAUTION! If the appliance is not used for a long time, make sure to charge it every 3 months to prevent battery aging.

7. Troubleshooting

Problem	Reason	Solution
The appliance does not work.	Check if the appliance is powered on.	Press the 【Power On/ Off】 button.
The red indicator is flashing during operation.	Battery drained.	Charge up the battery before use.
The appliance emits “Bi Bi” sound	Lock failed	Check the air vent at the bottom of vacuum machine aligns with the air vent of the upper lid. And, press the vacuum machine and upper lid lightly when vacuuming may enhance the vacuuming effect.

If the above solutions cannot fix the problem, do not attempt to modify the appliance by yourself and contact Shun Hing Electric Service Centre Ltd. to check and repair.

8. Special Avowal

1. The content in the operation manual has been checked. Our company reserves the hermeneutic power to any printing errors or misunderstanding on the content.
2. If there are technical improvements on the appliance, the operation manual will be updated in new version without prior notice. The product appearance and specification are subject to the manufacturer information.
3. In case there is any inconsistency or conflict between the English version and Chinese version of the terms, the Chinese version shall prevail.
4. The e-copy of user manual can be sent by email on requested. For enquiries, please call Shun Hing Electric Works & Engineering Co., Ltd. hotline at 2861 2767.

9. After Sales Service

1. For any defect, in the judgement of technician from Shun Hing Electric Service Center Limited, caused under normal use, our company is responsible for repairing or replacing parts of the said electrical appliance free of charge within one year guarantee period commencing from the date of purchase. Any defect part which has been replaced shall become our property. Guarantee service does not cover the repair or replacement of consumable parts etc.
2. User must present the official invoice/redemption voucher and the product warranty card with the chop from sales point/redemption center for maintenance. For enquiries, please call Shun Hing Electric Service Center Limited hotline at 2406 5666.

NOTE



Rasonic 樂信牌

信興電工工程有限公司

SHUN HING ELECTRIC WORKS AND ENGINEERING CO., LTD.

辦公室：香港九龍尖沙咀東部麼地道67號半島中心9樓

電話：2861 2767

圖文傳真：2865 6706

網址：<http://www.rasonic.com>

電郵：shew@shunhinggroup.com

Office: 9/F, Peninsula Centre, 67 Mody Road, Tsimshatsui East, Kowloon, H.K.

Tel: 2861 2767

Fax: 2865 6706

Website: <http://www.rasonic.com>

E-mail: shew@shunhinggroup.com

保養及維修 Maintenance and Repair Service:

信興電器服務中心有限公司

SHUN HING ELECTRIC SERVICE CENTRE LTD.

香港新界葵涌勝耀街2號信興中心11樓

電話：2406 5666

圖文傳真：2408 0316

網址：<http://www.shesc.com/zh>

11/F, Shun Hing Centre, 2 Shing Yiu Street, Kwai Chung, N.T. H.K.

Tel: 2406 5666

Fax: 2408 0316

Website: <http://www.shesc.com/en>

客戶服務中心

香港新界葵涌勝耀街2號信興中心1樓

九龍尖沙咀東部麼地道67號半島中心B座9樓

香港天后琉璃街7號柏景中心22樓

澳門慕拉士大馬路193-199號南嶺工業大廈5樓I座

Customer Service Centre

1/F, Shun Hing Centre, 2 Shing Yiu Street, Kwai Chung, N.T.

9/F, Block B, Peninsula Centre, 67 Mody Road, Tsim Sha Tsui East, Kowloon

22/F, Parkview Centre, 7 Lau Li Street, Tin Hau, Hong Kong

Avenida de Venceslau de Morais, No. 193-199, 5 andar - 1, Edf. Industrial Nam Leng, Macau

有關最新之香港及澳門客戶服務中心資料，請參閱信興服務中心網址：

<http://www.shesc.com/zh>

For the latest information of Hong Kong and Macau service center, please visit

<http://www.shesc.com/en>

RVS-D0724