



Operating Instructions

操作說明書

MODEL
型號

15AAQ1 07

Before operating this product, please read these instructions completely.

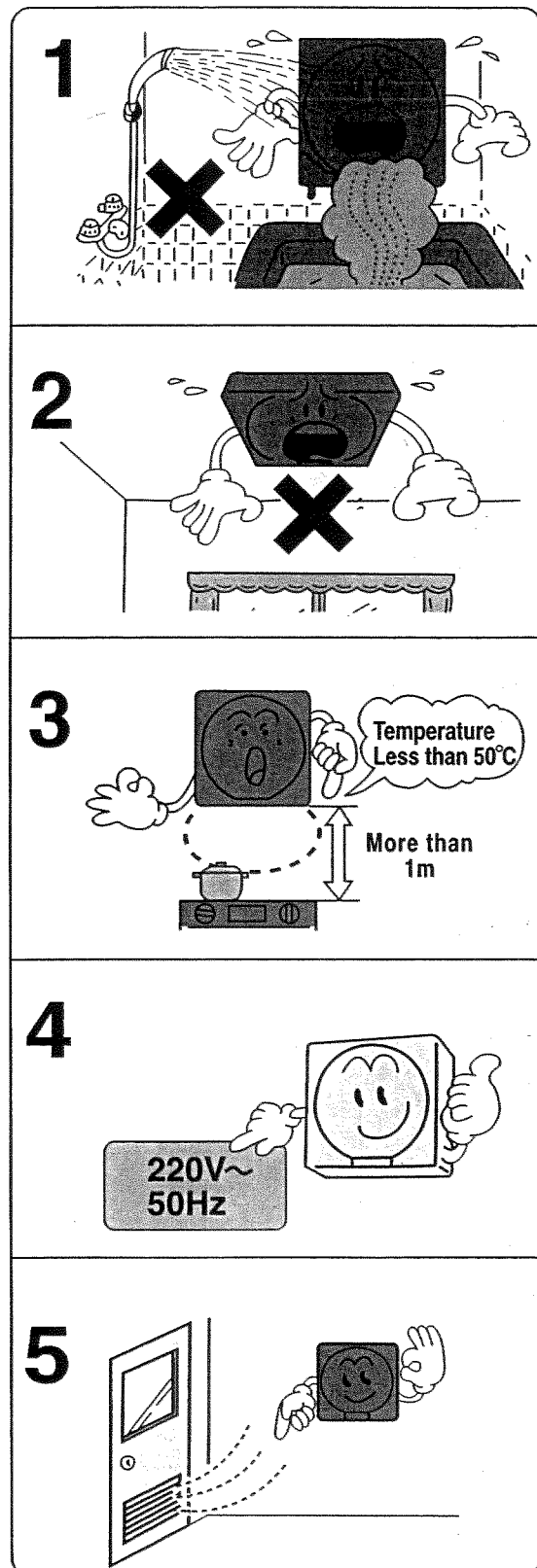
使用前請仔細閱讀說明書，以便正確使用。

INSTALLATION CAUTIONS

裝配注意事項

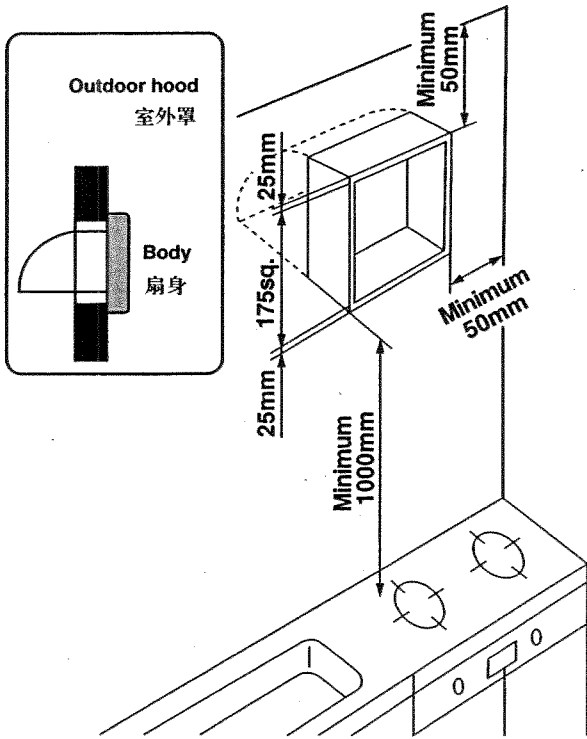
1. Do not install this fan where it could be directly exposed to water or excess vapor.
2. Do not install this fan on the ceiling.
3. Keep more than 1 meter away from cooking equipment.
4. Operate this fan at the rated voltage and frequency indicated on the name plate.
5. Be sure to provide an appropriate for air intake.
6. For this fan, precautions must be taken to avoid the back-flow of gases into the room from the open flue of gas or other flue-burning appliances.
7. Install this fan over 2.3m above the floor.
8. This fan can be mounted in outside faced wall from the inside of room.

1. 不要把換氣扇安裝在容易被水噴到，或烟霧、水氣過多的地方。
2. 不要把換氣扇裝在天花板上。
3. 安裝於離高溫器具一米以上距離的地方。
4. 須根據已標明的額定電壓及頻率使用換氣扇。
5. 必需安裝在有通風口的地方。
6. 在安裝換氣扇時，請採取適當的措施以防止氣體從一般的排氣管或炊具排氣管倒流回室內。
7. 此換氣扇的安裝高度距離地面勿低於2.3米。
8. 此換氣扇可以從室內安裝在外牆上。



HOW TO INSTALL

裝配方法

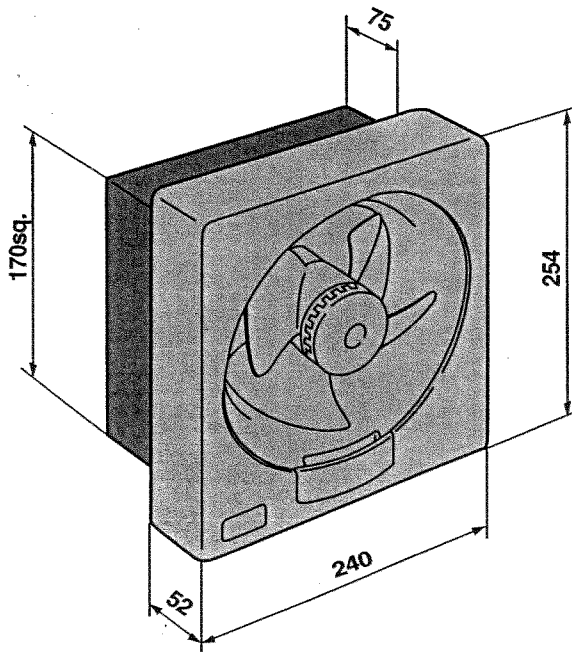
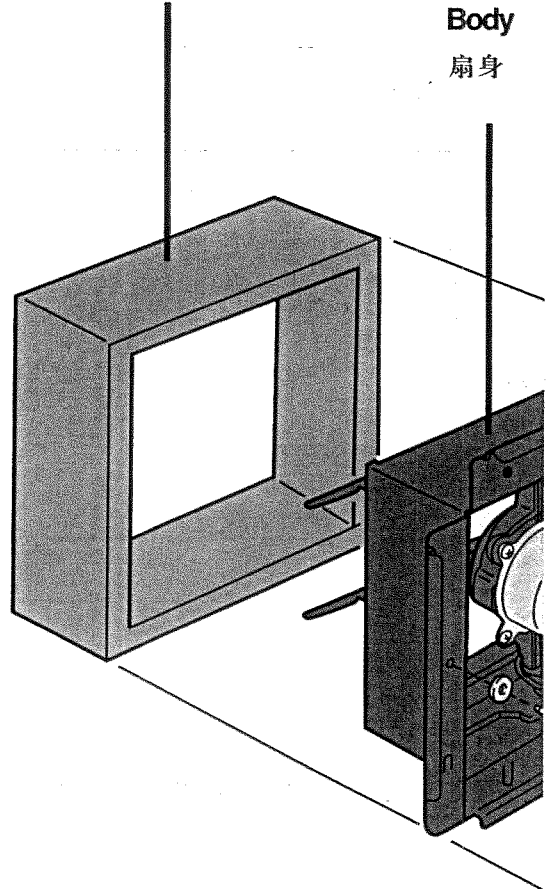


Wood frame

木架

Body

扇身



Dimensions:mm

Mounting screw (accessory)

安裝螺栓 (附屬品)

87
175

Motor

電動馬達

Orifice

面蓋

Blade assembly

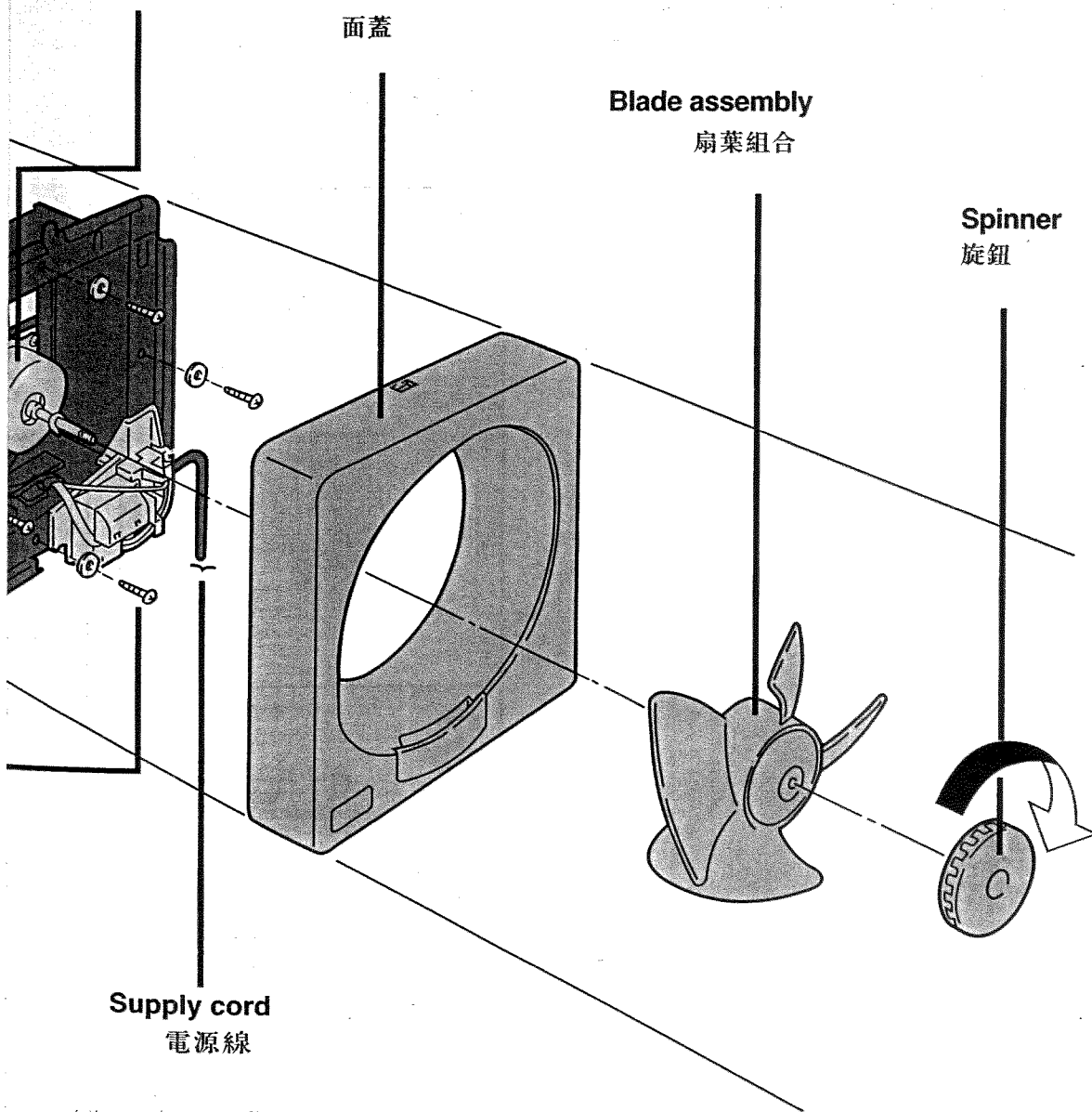
扇葉組合

Spinner

旋鈕

Supply cord

電源線

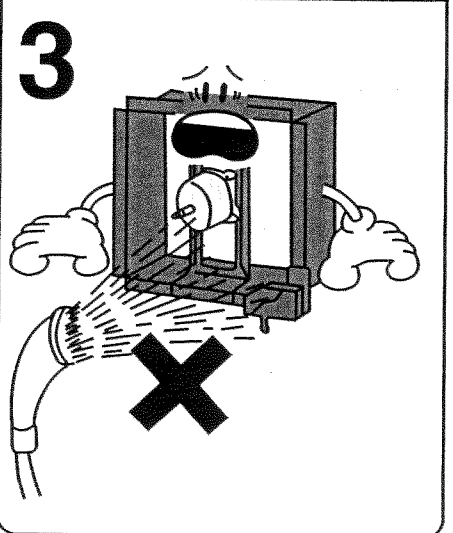
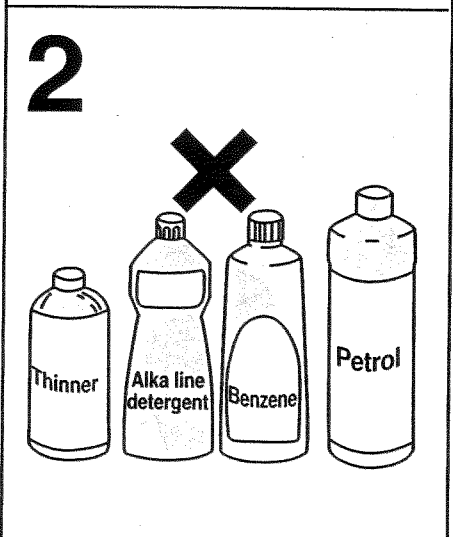
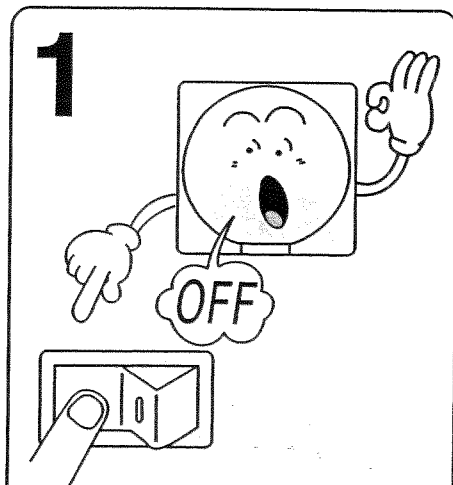
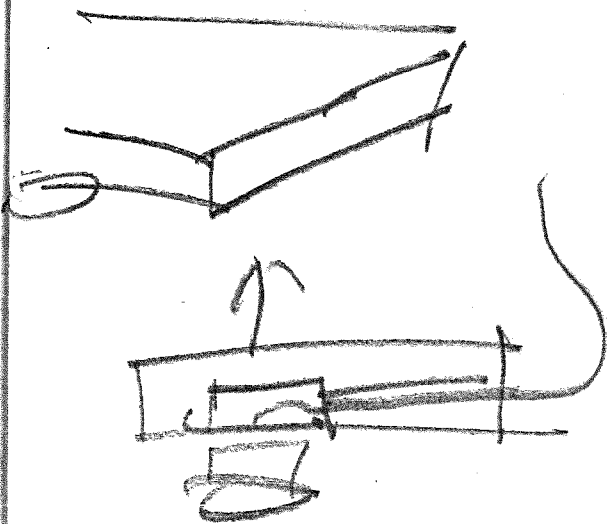


MAINTENANCE PRECAUTIONS

保養方法

1. Disconnect the power supply until blade is stationary before clean and maintenance.
2. Never use petrol, benzene, thinner or any other such chemicals for cleaning the ventilating fan.
3. Do not allow water to contact electrical part such as the motor.
4. If the supply cord is damaged, it must be replaced by the manufacturer or its service agent or a similarly qualified person in order to avoid a hazard.

- 1、在保養和清洗前，請確保斷開電源且扇葉停止轉動。
- 2、切勿使用汽油、苯、溶劑或任何類似的化學藥物清洗換氣扇。
- 3、請不要讓水接觸到電氣部件，例如馬達。
- 4、如果電源軟綫損壞，為避免危險，必須由製造廠、其維修部或類似的專業人員更換。



SPECIFICATIONS 規格

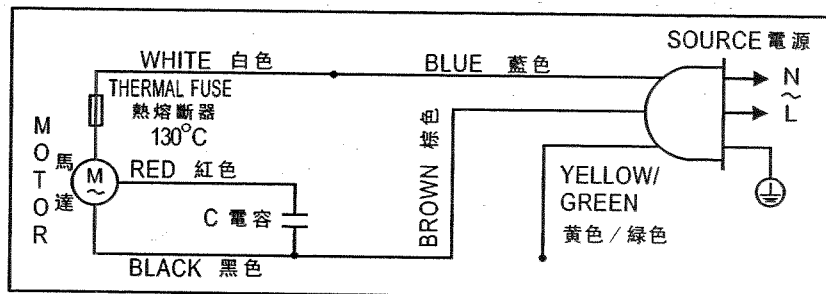
Mode 型號	Voltage 電壓 (V)	Frequency 電壓 (Hz)	Power consumption 耗電量 (W)	Speed 轉速 (R/M)	Air delivery 排氣量 (CMM)	Power factor 功率因數 (%)	Weight 重量 (kg)
15AAQ1 07	220	50	15.5	1480	4.8	96	1.4

* Insulation class E, IP code : IPX4 (outside)

* E 級絕緣, IP號碼: IPX4 (外牆)

Wiring Diagram

電氣接線原理圖



Matsushita Ecology Systems Co., Ltd.

15AAQ1461 07