



Operating Instructions

操作說明書

MODEL
型號

15WJA 07

Before operating this product, please read these instructions completely.

使用前請仔細閱讀說明書，以便正確使用。

GENERAL SAFETY INFORMATION

一般安全資訊

Warning

1. Never modify the fan or its specifications.
2. Do not install the fan exposed directly to water or excessive steam.
3. Do not install the fan on the ceiling.
4. Operate the fan at the rated voltage and frequency indicated on the name plate.
5. This fan must be grounded.
6. Install this fan over 2.3m above the floor.
7. This fan should be installed by qualified person.
8. For this fan, that precautions must be taken to avoid the back-flow of gases into the room from the open flue of gas or other fuel-burning appliances.
9. Disconnect the power supply until blade is stationary before clean and maintenance.
10. Do not turn on or off the fan when the inflammable gas leaks.
11. Do not touch the blade in operation.
12. This fan can be mounted in outside faced window from the inside of room.
13. This fan must be positioned so that the plug is accessible.

警告

1. 切勿改裝此換氣扇或改動其規格。
2. 不要把換氣扇安裝在直接暴露於水或過分潮濕的地方。
3. 不要把換氣扇安裝在天花板上。
4. 按照銘牌標定的額定電壓及頻率使用該換氣扇。
5. 必須使換氣扇接地。
6. 此換氣扇的安裝高度距離地面勿低於2.3米。
7. 此換氣扇必須由合格技工安裝。
8. 在安裝換氣扇時，請採取適當的措施以防止氣體從一般的排氣管或炊具排氣管倒流回室內。
9. 在清潔和保養前，請確保斷開電源且扇葉停止轉動。
10. 當發生氣體泄漏時，不要開啓或關閉換氣扇。
11. 不要觸摸運轉中的換氣扇。
12. 此換氣扇可以從室內安裝在外窗戶上。
13. 此換氣扇必須裝在接近插座的地方。

Caution

1. Be sure to provide an appropriate for air intake.
2. Install the fan free from oily smoke of cooking, or resin parts deform, shutters fix with oil.
3. Do not use to exhaust hazardous or explosive materials and vapors.
4. The applicable thickness of the glass is from 5mm to 9mm.

注意

1. 必須安裝在有通風口的地方。
2. 不要把換氣扇安裝在廚房等產生大量油煙的地方，因為油煙會令樹脂部件變形，或妨礙開關簾開關。
3. 此換氣扇僅供普通換氣使用。不要用於排放有害或爆炸性物質和蒸汽。
4. 可使用的玻璃的厚度應為 5~9毫米。

DESCRIPTION

說明

This window mount type ventilating fan has an axial style turbofan.

This type of fan works well even under the strong external wind. Body side switch can select 2-way air volume.

Dome-shaped hood and shutters promise the least the water inflow. But some water may come inside due to weather condition.

這窗式換氣扇採用軸向式渦輪扇葉設計。

這款換氣扇即使在外界風力強勁時仍能順利工作。機身側面的開關能選擇兩檔換氣風量。

圓蓋形風罩及開關簾可確保最少量的水流入。但取決於天氣狀況可能會流入少量的水。

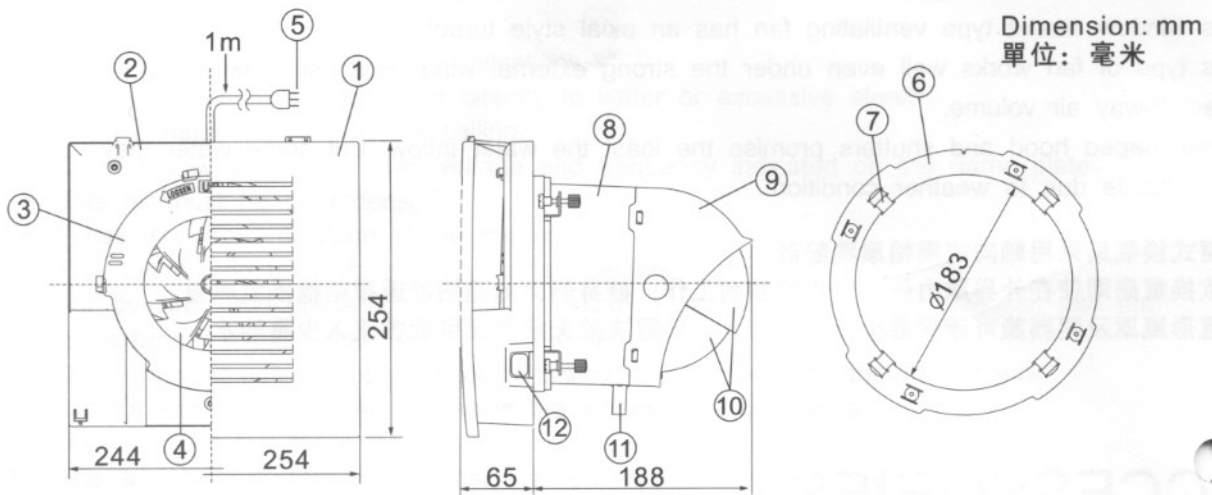
ACCESSORIES

提供的附件

No. 編號	Part Name 部品名	Drawing 圖	Quantity 數量	No. 編號	Part Name 部品名	Drawing 圖	Quantity 數量
1	Louver 百葉窗		1	3	Hook 箍扣		2
2	Frame 框架		1	4	Screw 螺絲		4

NAME AND DIMENSIONS OF EACH PART

各部件名稱及尺寸



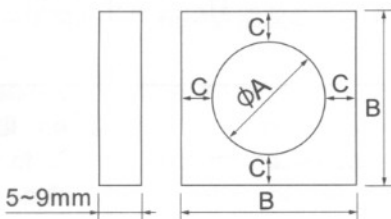
No.	Name	名稱
1	Louver	百葉窗
2	Cover	機蓋
3	Orifice	面罩
4	Blade	扇葉
5	Supply Cord	電源線
6	Frame	框架

No.	Name	名稱
7	Hook	箍扣
8	Body	機身
9	Hood	風罩
10	Shutter	開關簾
11	Drain Pipe	排水管
12	Switch	開關

INSTALLATION

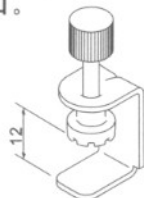
安裝方法

- 1** Make an installation hole.
開一個安裝孔。



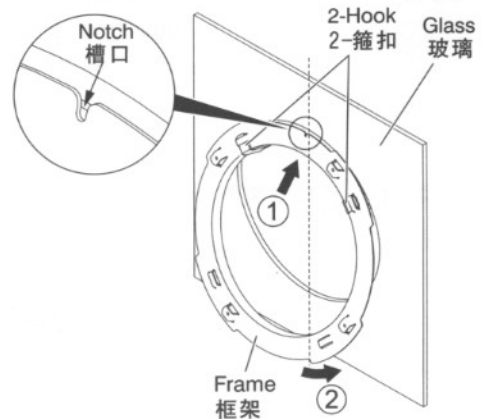
A	B	C
186~190mm	390mm Min	100mm Min

- 2** Make sure the clearance of all of hooks about 12mm as shown in figure.
如下圖所示，確保所有箍扣留下約12毫米的開口。



- 3** Align a notch of frame to the top on the center line. Insert the frame into the hole.

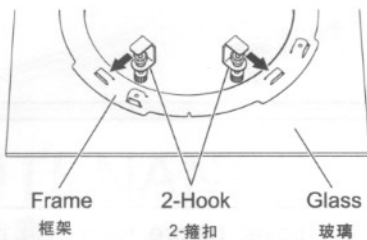
將框架的槽口對准安裝孔中心線的上方位置，然後將框架插入安裝孔中。



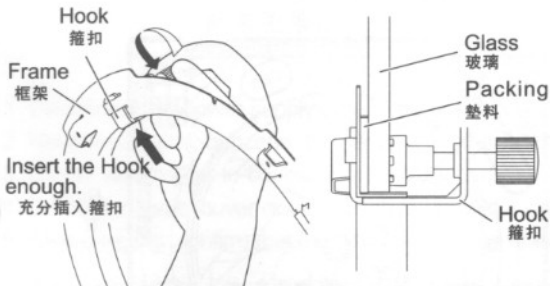
INSTALLATION

安裝方法

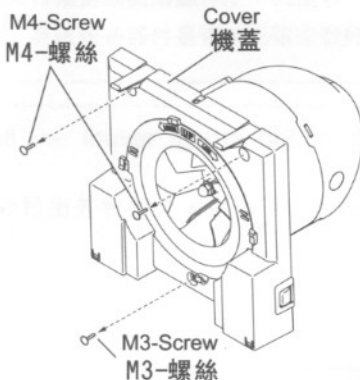
- 4** Insert the two hooks enough in the slit of the frame and tighten the screws by hand.
Other hooks must be firmly had by the hand, and be tightened enough with insertion. Be careful so that those hooks should not be dropped to the outdoor from the installation hole.
將兩個箍扣充分插入到框架的切口中并用
手擰緊螺絲。其余箍扣須用手捉緊并充分
插入，擰緊。安裝時要小心，以免箍扣從
安裝孔掉到戶外。



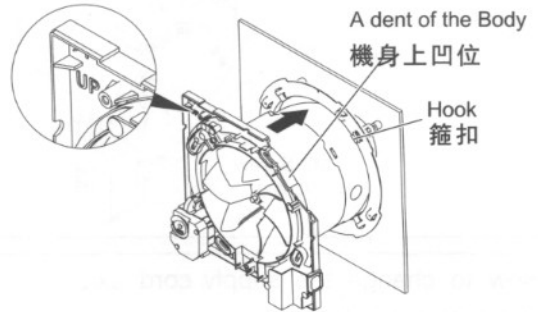
- 5** Make sure to tighten the four screws so that the packing between the frame and the glass is flattened.
擰緊4個螺絲以確保框架與玻璃間的墊料
被壓扁。



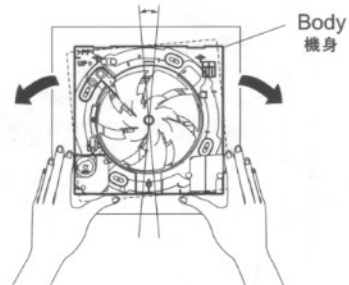
- 6** Remove the three screws and the cover.
卸下三個螺絲和機蓋。



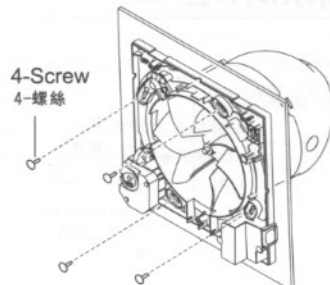
- 7** The UP mark of the body come to the up position. Aline a dent of the body to the hook of the frame, then insert the body to the frame carefully.
使機身上的“up”標志朝上。必須調整機身上
的凹位使之對准框架上的箍扣，然後將機身小
心地插入框架中。



- 8** Rotate the body to adjust the horizontal and the vertical. Insert the body completely until the back of the body touches the glass.
旋轉機身以調節其水平和豎直方向。充分
插入機身使其背面與玻璃面相接觸。

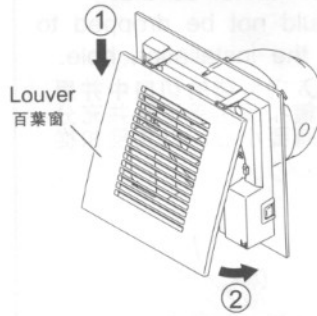
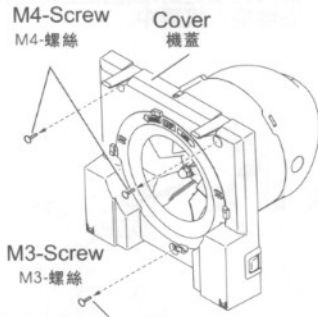


- 9** Secure the body and the frame with four screws after confirming the position.
校正位置後，用4個螺絲固定機身和框架。



10 Secure the cover with three screws, be sure not to crimp any wires with cover. Hang the louver on the projections of the cover and press the louver at the lower side to fit into the cover.

用三顆螺絲固定機蓋，以使面罩不會卷曲任何電線。把百葉窗懸掛在機蓋的凸出部分上，再用力壓百葉窗的下方使其嵌入機蓋中。



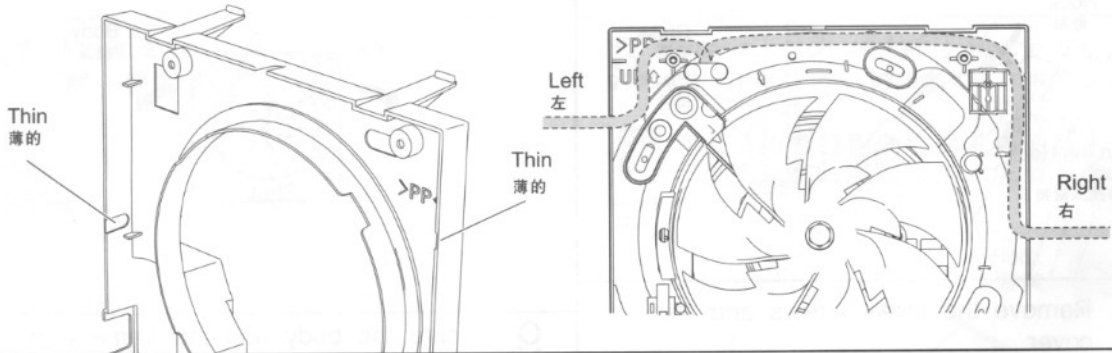
How to change the supply cord exit

改變電源線出口位置的方法

Cut out the thin U-shaped part of right or left side of the cover before work "No.10". Route a supply cord as shown below, take out the supply cord from the notch of right or left side of the body. The installation work after this is the same as "No.10".

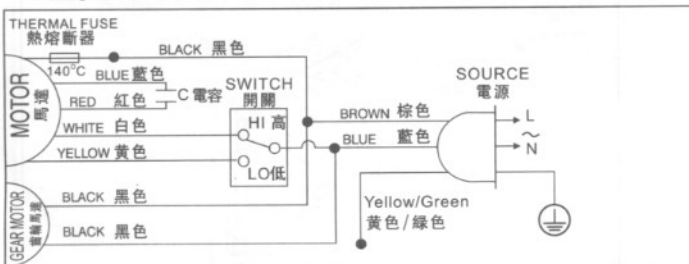
This work must be done by qualified person.

在安裝步驟10之前，切開位于機蓋右邊或左邊較薄的“U”形部份。然后如下圖所示布線并把電源線從主體的右邊或左邊的槽口中引出。接下來的安裝與步驟10相同。此項操作必須由合格技工進行。



WIRING DIAGRAM

電氣接線原理圖

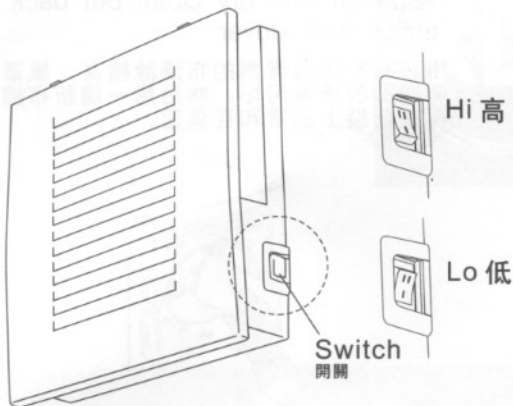


OPERATION

操作方法

Body switch can select the air volume.

通過換氣扇上的開關可以選擇排氣風量。



MAINTENANCE

維修保養

WARNING If the supply cord is damaged, it must be replaced by the manufacturer or its service agent or a similarly qualified person in order to avoid a hazard.

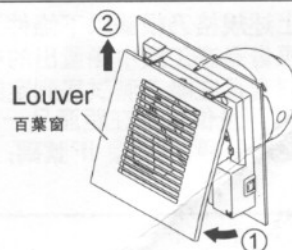
警告 如果電源軟線損壞，為避免危險，必須由制造廠，其維修部或類似的專業人員來更換。

1. Disconnect the power supply until blade is stationary before clean and maintenance.
2. Never use petrol, benzene, thinner or any other such chemicals for cleaning the ventilating fan.
3. Do not allow water to contact the electrical parts, such as the motor.
4. Do not immerse louver or resin parts in hot water over 60°C
5. After cleaning, confirm that the parts have been reassembled correctly.

1. 在清潔和保養前，請確保斷開電源且扇葉停止轉動。
2. 切勿使用汽油、苯、稀釋劑或者任何其它類似的化學品清洗換氣扇。
3. 請不要讓水接觸到電子部件，例如馬達。
4. 請不要將百葉窗或樹脂部件浸于60度以上的熱水中。
5. 清洗后，要確認各部件是否被正確安裝好。

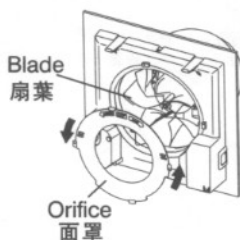
1 Pull the louver at the bottom forward and lift up to remove.

向外拉出并提起百葉窗的下方，取下百葉窗。



- 2** Turn the orifice counterclockwise, remove the orifice.

逆時針方向轉動面罩，可以取出面罩。



- 3** Wash and clean the louver, the orifice
清洗百葉窗、面罩。



- 4** Using a cloth dampened with kitchen detergent, remove any dirt from body. Wipe off with dry cloth. put back orifice and louver.

用沾有廚房清潔劑的布清除機身，風罩及開關簾的所有污垢，然後用一塊新布擦幹，再重新裝上面罩和百葉窗。



SPECIFICATIONS 規格

Model No. 產品型號	Voltage 電壓 [V]	Frequency 頻率 [Hz]	Notch 檔位	Power Consumption 耗電量 (W)	Speed 轉速 (R/M)	Air delivery 風量 (m ³ /h)	Noise 噪音 (dB)	Power factor 功率因素 (%)	Weight 重量 (kg)
15WJA 07	220	50	Hi 高	27	1960	220	47	97	2.4
			Lo 低	24	1460	165	38	95	

Notes

- All of specifications are measured under this condition.
Static pressure : 0Pa , Temperature : 20°C
- Air delivery data is the mid-point measured in factory and is subject to ±10% tolerance.
- Noise data is measured in the test room, and the allowance of the noise value is contained +3dB and -7dB. The measurement position is in a place 1m away from the product on the front, the right side, and the left side, and the data is a mean value of the three.
- Insulation class : E , IP code : IPX4 (outside)

注

- 上述規格乃根據以下條件測量。靜壓：0Pa，溫度：20°C。
- 風量是在工廠中測量出的中點值，並容許有±10%的誤差。
- 噪音是在噪音測試房測定的，噪音值的允許偏差值為：+3dB和-7dB。
其測量位置是在距產品一米遠的前方，右邊及左邊。所取數值為三者的平均值。
- 絕緣等級：E級，IP號碼：IPX4(外牆)