



全新科技速熱電熱水器

Brand New Technology Rapid Heating Electric Water Heater

速熱花灑式電熱水器
Rapid Heating Shower Type
Electric Water Heater

RWH-ST13L RWH-ST21L

操作及安裝說明書

Operating and Installation Instructions

(7) 異常狀況之處理

使用中發現異常狀況時，請截斷電源，並聯絡代理商進行檢查或維修。

狀況	原因	處理方法
水不熱，溫度顯示器不亮	1. 電源開關異常 2. 內部電線異常 3. 發熱芯或恆溫掣燒毀 4. 電流保險絲燒毀	● 找合資格的技術人員檢查或維修 ● 更換發熱芯或恆溫掣 ● 更換電流保險絲
水溫太低	1. 恆溫掣在低溫度 2. 熱水器功率不夠	● 調高溫度 ● 諮詢代理商或找合資格的技術人員檢查
花灑噴出蒸氣	1. 恆溫掣失效	● 更換恆溫掣
機身漏水	1. 儲水內膽漏水 2. 混合水掣漏水	● 找合資格的技術人員檢查或維修 ● 維修或更換混合水掣
水流量減弱或無出水	1. 水管淤塞 2. 水壓不足	● 清理水管

(8) 產品規格

型號	RWH-ST13L	RWH-ST21L
容量	12公升	19公升
額定功率	3千瓦	
額定電壓	220伏特~ 50赫茲	
最高溫度	75°C	
花灑套裝	✓	
重量 (淨重)	11.2千克	14千克
重量 (連水重)	23.2千克	33千克
產品體積		
深	150毫米	160毫米
闊	420毫米	420毫米
高	503毫米	655毫米
出入水喉管	1/2"	

備註：

入水要求: 自來水或水箱供應

額定壓力: 0 kPa (0 bar)

入水壓力: 超過600kPa (6 bar)或以上，用戶必須要加裝減壓閥，否則不在保修範圍以內！

防水等級為IPX1

*規格如有更改，恕不另行通知

中英文版本如有出入，一概以中文版為準

操作及安裝說明書，以 www.energytrading.com.hk 網上版本為準

(9) 維修及保養

- 機身和零件保用一年 (受條款限制)*
- 內膽保用十年 (受條款限制)*
- 規格: 符合香港機電工程署電氣產品 (安全) 條例

*於所述期間內所列零件可享有免費保修，貴客需承擔維修之上門及裝卸產品等費用，詳情請致電本公司客戶服務部查詢。

客戶服務部熱線: 2667 6662

(4) 使用方法

- 確定此熱水器在正常狀態及正確位置，並把電源掣關上。
- 旋開熱水掣直至冷水及氣泡從出水口排出約1分鐘，然後關掉水掣 (此程序只適用於首次安裝或維修後)。
- 接通電源，此時溫度顯示器亮起。
- 當水加熱至最高溫度時，溫度顯示器熄滅。
- 此時，熱水器已準備好運作，首先開啟冷水掣，然後慢慢開啟熱水掣，調校至適合水溫淋浴。

水溫調校

- 本熱水器的最高溫度為75°C，帶有自動恆溫功能。

(5) 使用者指南

- 本產品不能供以下人士使用 (包括兒童)
 - A. 缺少物理知覺或精神能力，或缺乏經驗和知識，除非已給他們正確指示和監督。
 - B. 缺少物理知覺或者精神能力的人及兒童，須由監護人指導下使用這熱水器，及對他們的安全負責。
 - C. 為避免燙傷意外發生，未加入冷水時，請勿直接將花灑頭對向人體，必須確保出水溫度合適後方能使用。

(6) 注意事項

於使用及安裝此熱水器前，請先閱讀以下注意事項。

- 在以下任何情況下：
 1. 當第一次安裝進水時
 2. 曾經出現停水
 3. 熱水器內只排水、沒有進水時為確保爐內注滿水，用戶須旋開熱水掣直至水及氣泡從出水口排出約1分鐘。
- 當水掣開到最大時，而熱水流速度非常緩慢，電熱水器需要檢查或維修，請立即通知合資格的技術人員，否則電熱水器可能出現高壓的情形。
- 切勿阻塞花灑式熱水器的出水口，在正常操作情況下，花灑頭可能會有微量蒸氣或熱水冒出。
- 切勿在出水喉管位置加裝開關掣或將出水喉管接駁到洗手盆或浴缸使用，以免阻塞出水喉管，使儲水缸內壓力過大，造成爆炸意外。
- 花灑式儲水缸是不能受壓的，儲水缸內的壓力須由出水喉管，花灑喉和花灑頭釋放，以防止水缸受壓，本熱水器只可配合無阻塞的開放式混合水龍頭及花灑配件使用。

- 使用後請擦乾機體外殼，切勿使用強酸或強鹼或含腐蝕性之清潔劑清洗。
- 本產品只可以由合資格的技術人員維修及保養，如維修不適當，可能構成危險。
- 如發現損壞，請即截斷電源，並通知合資格的技術人員進行檢查及維修。
- 對熱水器進行任何保養和維修前，請務必先截斷電源。只有合資格的技術人員才可以對熱水器進行維修和保養，切勿自行修理或更換零件。

警告:

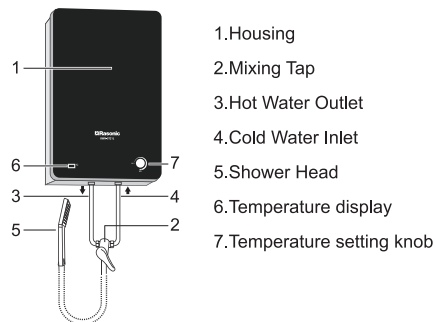
- 本產品須置於兒童不可接觸的地方，並須良好接地，切勿自行安裝或改裝。
- 此電熱水器需要排氣及只可安裝特定之配件，請勿接駁非製造商建議之混合水掣或配件。
- 為避免燙傷意外發生，在未開冷水之前，請勿將花灑頭對向人體，必先確保出水溫度合適方能使用，使用後，先將出水花灑頭移開人體再關閉混合水掣，並將混合水掣手柄旋向冷水方向才按下關水。
- 如果需要排清熱水器內的水，必須使用工具打開排水塞。

Introduction

Thanks for choosing **Rasonic** New Technology Rapid Heating Shower Type Electric Water Heater

- Before you use the appliance, read these Operating and Installation instructions carefully!
- The appliance can be heated up and store water up to 75°C to meet your requirements.
- You can also have cold water from the mixer tap at any time.
- This water heater must be installed (both aquatic and electrical installation), commissioned and serviced by an authorized person in accordance with the local rules and regulations.
- Installation must be completed with supplied accessories and follow these instructions. If you need refit, contact the registered electrical contractor and a licensed plumber for service.

(1) Composition of the Unit



(2) Installation Requirements

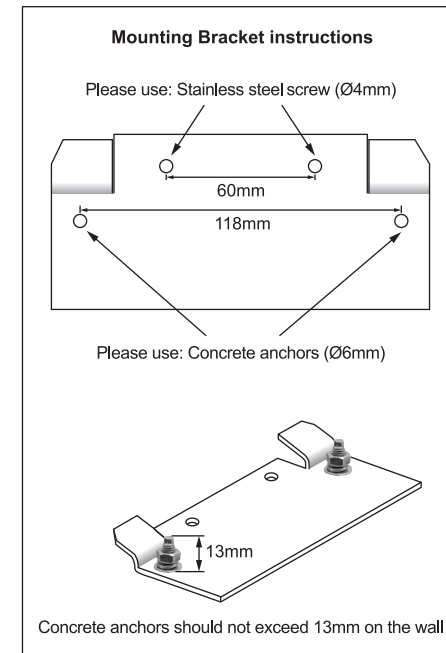
2a. Electrical Connection

- Wiring of this appliance must conform to IEC wiring regulations.
- Power switch with a light indicator is recommended.
- Must install separate power switch outside bathroom with appropriate miniature circuit breaker (M.C.B.) and effective grounding.
- Release the set of screws at bottom and remove the bottom cover.
- Lead the power wire through the wire hole at the bottom of back cover (refer to (3) Wiring diagram).
- Use the wire clamp to fix the wire in position.
- Connect the wiring to earth and on power terminals as shown in the wiring diagram.
- Refix the bottom cover in position.
- Connect to an individual 220V AC power supply only.
- The appliance must be connected to a power supply with a 20A cooker switch.

- Do not connect the appliance to the power socket until it is mounted on the wall and filled with water.
- Use wire with cross-sectional area 2.5mm² or more.
- Power must be switched off before maintenance or inner tank cleaning.

2b. Wall mounting and water supply

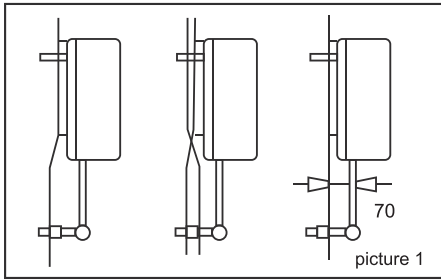
- Please use 2 pieces of Ø6mm bolt screws and Ø6mm concrete anchors and Ø4mm stainless steel screws each 2 pieces.



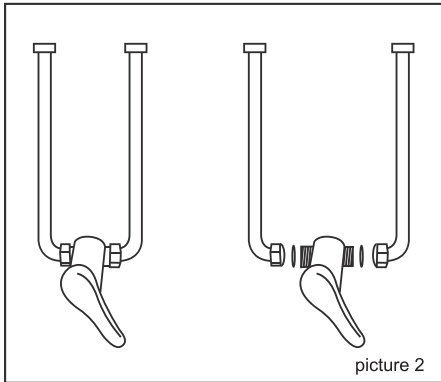
- Make sure to mount the appliance vertically and the wall is flat (picture 1).
- When replacing an existing appliance, check whether the existing boreholes can be reused.
- Connect the mixer tap with pipes (picture 2).
- Mount the water heater on wall, screw the connecting pipes to the heater and the mixer tap (picture 3).
- Diameter of supply water connection is 1/2" BSP. Make sure there is no water leaking at the joints, turn on hot water valve to fill up the inner tank until water flows out from the shower head.

2c. Pre-installation Notice

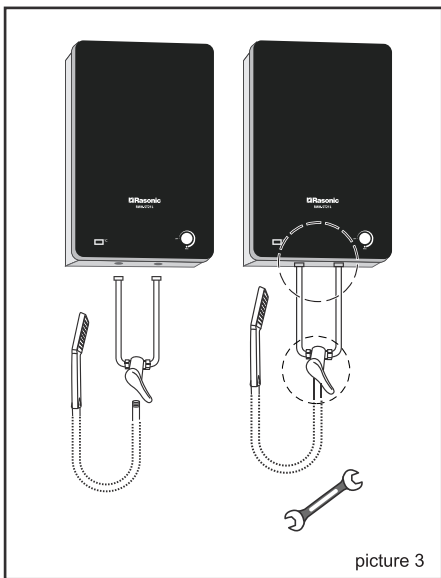
- Installation and repair should be carried out by a qualified technician.
- Supplied parts should be used. Failing that, Energy Trading Co. Ltd. is not responsible for consequences or damages caused.
- Shower head holder should be anchored on the wall at appropriate location.



picture 1

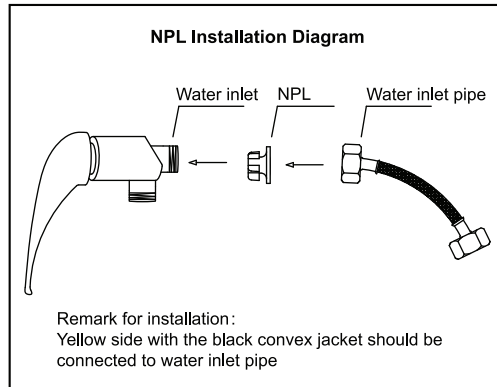


picture 2



picture 3

NPL installation, please follow this:



(3) Wiring diagram

- A: temperature display
- B: thermostat
- C: storage tank temperature sensor
- D: wiring terminal
- E: earthing connection
- F: thermal cutoff sensor
- G: heating element
- H: pocket for storage tank temperature sensor
- I: pocket for thermal cutoff sensor
- J: electronic controller PCB
- K: fuse
- L: pocket for thermal cutoff sensor
- M: pocket for temperature display sensor
- N: temperature display sensor

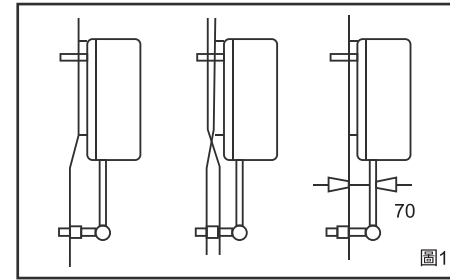
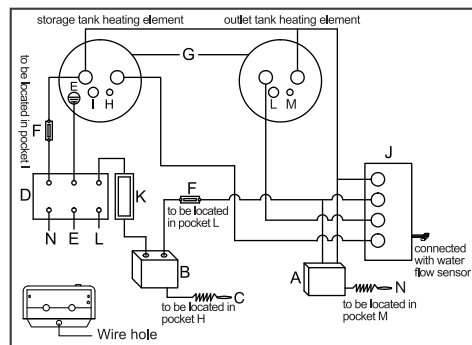


圖1

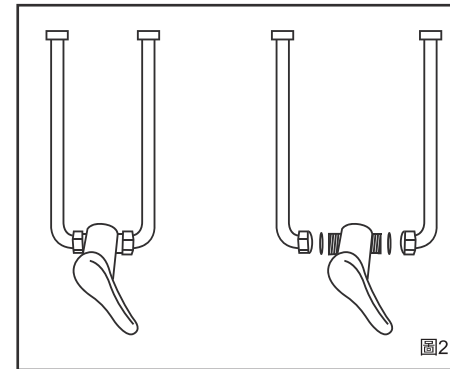


圖2

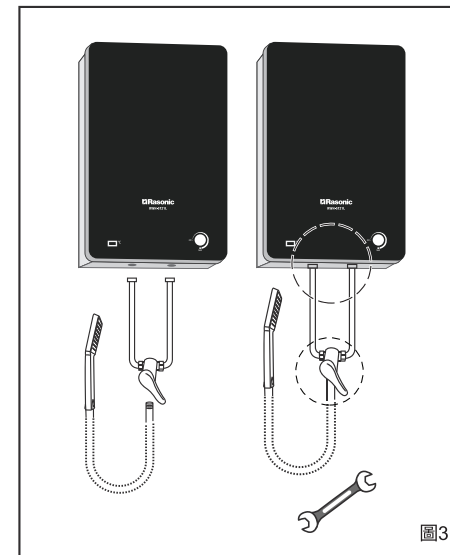
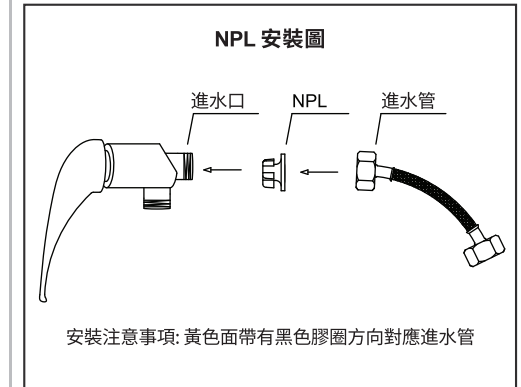


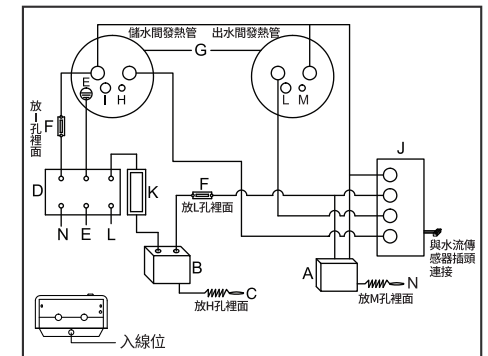
圖3

水流閥NPL，依此圖安裝：



(3) 配線圖

- A: 溫度顯示器
- B: 恆溫掣
- C: 儲水間溫度感應頭
- D: 接線座
- E: 接地線
- F: 超溫斷路器
- G: 發熱芯
- H: 溫度感應孔
- I: 超溫感應孔
- J: 電子控制器
- K: 電流保險絲
- L: 超溫感應孔
- M: 溫度感應孔
- N: 出水間溫度感應頭

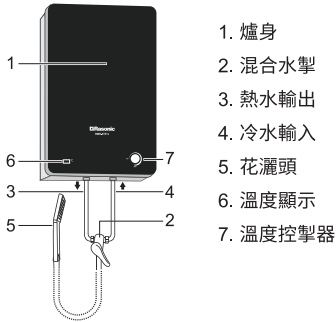


說明書簡介

謝謝閣下選購 **Rasonic 樂信牌** 全新技术速熱花灑式電熱水器。

- 使用此產品前，請先閱讀本操作及安裝說明書。
- 此熱水器能按照閣下要求，令爐內冷水加熱至75°C。
- 任何時間也可在混合水掣提取冷水。
- 此熱水器需由認可人士根據當地安裝條例及以下說明書安裝方法(包括水管及電線接駁)、保養及維修。
- 安裝熱水器需使用原裝之配件，如需改裝，請由註冊電業承辦商及持牌水喉匠進行。

(1) 各部名稱



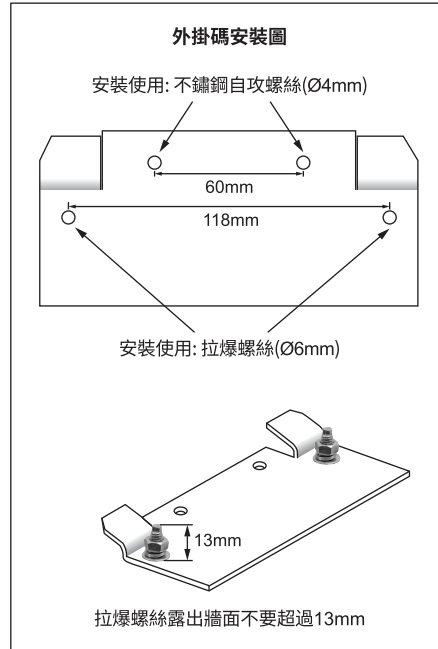
(2) 安裝原則

2a. 電源接駁

- 於浴室內安裝本電熱水器時，必須遵照IEC之有關電線安裝條例規格接駁。
- 電源開關應採用有顯示燈類型。
- 必須裝置獨立電源開關掣(放浴室外)，自動斷路保險掣及有效接地。
- 先把熱水器之底蓋打開(扭開螺絲釘)。
- 先把電線穿過底蓋之入線位，引入電熱水器內(參閱(3)配線圖)。
- 用電線夾把引入之電線固定。
- 並按配線圖指示接駁電線及地線。
- 把爐底蓋重新安裝妥當。
- 只可接駁一處220V的交流電源。
- 產品需接駁合格20安培電力曲架斷路開關掣。
- 熱水器被掛在牆上及裝滿水後才可接駁電源。
- 使用標稱橫截面積 $\geq 2.5\text{mm}^2$ 的固定電線。
- 用戶需要作任何維修或內膽清理前，必先截斷電源。

2b. 掛牆和供水

- 安裝時，請使用2個 $\varnothing 6\text{mm}$ 拉爆螺絲及 $\varnothing 6\text{mm}$ 膠塞和 $\varnothing 4\text{mm}$ 不鏽鋼自攻螺絲各2個。



- 確定掛牆時，熱水器是垂直及牆身是平的(圖1)。
- 當更換電熱水器，請檢查牆孔可否再使用。
- 接駁混合水掣連接於水管上(圖2)。
- 把熱水器掛在牆上，緊接水管至混合水掣及熱水器(圖3)。
- 供水管直徑為 $1/2''$ ，接駁妥當後應先試看連接位置有否漏水，確定沒有漏水後才為熱水器注水，直至花灑頭噴水，即表示內膽已注滿。

2c. 一般事項

- 安裝和維修工作應由合資格的技术人員負責。
- 必須使用原廠配件安裝，若不按指示安裝，或使用非原廠配件而引致任何損失，本公司概不負責。
- 花灑頭插座，應以膨脹螺絲安裝於適當位置上。

(4) Operating Instructions

- Turn off the power and ensure the heater installed in good condition and proper location.
- Open the hot water valve until water and air bubble come out through the outlet points, wait 1 minute, before closing the valve (Applicable to the first time installation or after repair).
- Turn on the power and the temperature display lights up.
- Temperature display indicator will go off when water reaches the preset temperature and the heater is ready to use.
- Take a comfortable shower bath. Firstly, turn the cold water knob on, cold water will flow through the outlet points. Secondly, open the hot water knob slowly until the mixed water temperature is suitable for your needs.

Water Temperature Settings

- The maximum water temperature setting is 75°C, with automatic thermostatic function.

(5) User Guide

- This appliance is not intended for use by person (including children)
 - A. With reduced physical sensory or mental capabilities or lack of experience and knowledge, unless they have been given supervision or instruction.
 - B. Parents or legal guardians are responsible to, and must give proper guide/supervision to children users, and persons with physical or mental incapability.
 - C. You may get hurt if you directly flush your body with water without mixing cold water, make sure to test water temperature before use.

(6) Safety Precautions

The following safety precautions must be taken when installing and using the electric water heater.

- When one of the followings happens :
 1. Water inflow for the first time, or
 2. Water suspension, or
 3. Water outflow only without water inflow
- Turn on hot water valve until water and air bubble come out from the outlet, wait 1 minute, so as to assure the water heater is filled with water.

- If water flows out from the hot water tap very slowly with tap fully open. Call a specialist immediately, otherwise the water heater may have been subject to high pressure.
- Do not block outlet of the appliance. Under normal operation, small amount of steam/hot water may come out from the shower head.
- To prevent excessive high pressure inside the tank, do not install an on/off control valve at the water outlet or connect the outlet to a tub or a basin.
- Pressure inside the tank is relieved via the water outlet, flexible hose and shower head. The appliance should only be used with an unblocked open-style mixer tap and shower accessories.
- Wipe the appliance after use, do not use aggressive or abrasive detergents.
- The water heater must be repaired and maintained by qualified technicians. Improper repair may cause dangerous.
- When there is a fault, disconnect the appliance from the mains immediately and call qualified technicians for checking and repairing.
- Switch off the power before maintenance and repairing. Only qualified technician can repair or maintain the appliance, do not repair the appliance or replace accessories by yourself.

! WARNING:

- **Appliance must be earthed. Do not attempt to install or modify it by yourself. Children should be supervised not to play with it.**
- **The appliance must be installed with specific accessories, use only mixing tap and accessories recommended by the manufacturer.**
- **Test water temperature before use, shower head should always be pointed away from people before cold water is turned on. After use, also point the shower head away from people first, turn the mixer to cold water before turning it off.**
- **To empty the tank, use tool to open the drainage.**

(7) Trouble Shooting

Be reminded to switch off the power when problems occurred. Call for service immediately.

Status	Cause	Action
Water cold, temperature display is off	<ol style="list-style-type: none"> 1. Disconnection of main supply 2. Disconnection of internal wiring 3. Burn off of heating element/ thermostat 4. Current fuse burnt 	<ul style="list-style-type: none"> ● Consult qualified technician for checking or repairing ● Replace the heating element/ thermostat ● Replace current fuse
Very low water temperature	<ol style="list-style-type: none"> 1. Thermostat is set at low temperature 2. Insufficient heating power 	<ul style="list-style-type: none"> ● Adjust to high temperature ● Contact the service centre or consult qualified technician
Steam come out from shower head	<ol style="list-style-type: none"> 1. Faulty thermostat 	<ul style="list-style-type: none"> ● Replace thermostat
Dripping	<ol style="list-style-type: none"> 1. Dripping of water tank internally 2. Dripping from the valve of mixed tap 	<ul style="list-style-type: none"> ● Contact qualified technician ● Repair or replace mixer tap
Insufficient or no water out-flow	<ol style="list-style-type: none"> 1. Blockage in pipe 2. Insufficient water pressure 	<ul style="list-style-type: none"> ● Clean inlet or outlet pipe

(8) Product Specifications

Model	RWH-ST13L	RWH-ST21L
Capacity	12L	19L
Rated Power	3kW	
Rated Voltage	220V~ 50Hz	
Highest Temperature	75°C	
Shower Set	✓	
Weight (Net Weight)	11.2kg	14kg
Weight (Operating Weight)	23.2kg	33kg
Dimensions		
Depth	150mm	160mm
Width	420mm	420mm
Height	503mm	655mm
Pipe Connection	1/2"	

Remarks:

Water Supply Source : Main or water tank
Rated Pressure : 0 kPa (0 bar)

Water Supply Pressure: over 600kPa (6 bar) or above, must install with pressure relief valve, otherwise not accepted for maintenance!

Water Proof Rating : IPX1

*All specifications are subject to change without notice
If there is any inconsistency or ambiguity between the English version and the Chinese version, the Chinese version shall prevail.
Please refer to www.energytrading.com.hk for latest version of the operating and installation instructions.

(9) Warranty

- One year for the product and parts. (Terms and conditions apply)*
- Ten years for the water tank. (Terms and conditions apply)*
- Conformity: Electrical Product (Safety) Regulation, Hong Kong.

*Parts are free within the warranty period. However, fees and charges may apply, such as our technicians' transportation, removing old parts and installing new parts. Please contact our customer service hotline for details.

Customer Service Hotline: 2667 6662