

Open Size: 364mm x 257mm
Final Size: 182mm x 257mm

近期換氣扇工程事例 (1997-2017) Recent Ventilating Fan Significant Projects (1997-2017)

- 將軍澳日出康城
Tseung Kwan O Lohas Park
- 奧運海桃灣
Olympian City Florient Rise
- 九龍衛理徑衛理苑
Kowloon Wylie Court
- 大圍名城
Tai Wai Festival City
- 大圍名城 (2期)
Tai Wai Festival City (2nd Phase)
- 澳門青洲社會房屋綜合體
Complexo de Habitacao Social na Ilha Verde
- 東涌藍天海岸
Tung Chung Coastal Skyline
- 尖沙咀擎天半島
Tsim Sha Tsui Sorrento
- 中環帝后華庭
Central Queen's Terrace
- 屯門景峰豪庭
Tuen Mun Noble Place
- 澳門名門世家
Macau Windsor Arch
- 將軍澳茵怡花園
Tseung Kwan O Verbena Heights
- 土瓜灣嘉朗豪庭
Tokwawan Carlton Court
- 將軍澳君傲灣
Tseung Kwan O The Grandiose
- 青衣綠悠雅苑
Tsing Yi Greenview Villa
- 將軍澳都會駅
Tseung Kwan O Metro Town
- 薄扶林貝沙灣
Pok Fu Lam Residence Bel-Air
- 澳門君悅灣
The Residencia Macau
- 元朗翹翠峰
Yuen Long Emerald Green
- 大埔道翠峰28
Sham Shui Po Emerald Twenty Eight
- 將軍澳疊翠軒
Tseung Kwan O The Pinnacle
- 將軍澳怡心園
Tseung Kwan O Serenity Place
- 荔枝角昇悅居
Lai Chi Kwok Liberte
- 土瓜灣傲雲峰
To Kwa Wan Sky Tower
- 太古逸園
Taikoo The Orchards
- 東涌映灣園
Tung Chung Caribbean Coast
- 東涌東堤灣畔
Tung Chung Crescent
- 九龍塘畢架山一號
Kowloon Tong One Beacon Hill
- 長沙灣泓景臺
Cheung Sha Wan Banyan Garden
- 深井碧提半島一期
Sham Tseng Phase I Bellagio
- 紅磡半島豪庭
Hung Hom Royal Peninsula
- 尖沙咀港景峰
Tsim Sha Tsui The Victoria Towers
- 長沙灣喜盈
Cheung Sha Wan Heya Delight
- 粉嶺逸峰
Fanling Green Code
- 玖龍山
Shatin Dragons Range
- 煥然壹居
Kowloon City De Novo
- 元朗YOHO TOWN
Yuen Long YOHO TOWN
- 錦田爾巒
Kam Tin RIVA
- 筲箕灣柏匯
Shau Kei Wan PARKER 33
- 馬頭角金·御門
Ma Tau Kok Billionaire Luxe
- 將軍澳天晉
Tseung Kwan O The Wings
- 元朗映御
Yuen Long Twin Regency
- 九龍塘澳洲國際學校
Kowloon Tong, Australian International School Hong Kong
- 港澳信義會
Hong Kong & Macau Lutheran Church

- 符合IPX4表示水從任何方向濺向產品時，對其安全性並無不良的影響。
- 安裝方法請參照操作說明書。
- IPX4 stands for ingress protection that water splashing against the product from any direction shall not have harmful effects to its safety.
- For installation method, please refer to the operation instruction.



總代理 Sole Agent :
信興電工工程有限公司
SHUN HING ELECTRIC WORKS AND ENGINEERING CO., LTD.
辦公室 Office :
香港九龍尖沙咀東部麼地街67號
半島中心9樓909-912室
Room 909-912, 9/F, Peninsula Centre, 67 Mody Road,
Tsimshatsui East, Kowloon, Hong Kong
電話 Tel : (852) 2861 2767
傳真 Fax : (852) 2865 6706
網址 Website : www.shew.com.hk
電郵 E-mail : shew@shunhinggroup.com

保養及維修 Maintenance and Repair Service :
信興電器服務中心有限公司
SHUN HING ELECTRIC SERVICE CENTRE LTD.
香港新界葵涌葵興街8號信興中心19樓
19th Floor, Shun Hing Centre,
8 Shing Yiu Street, Kwai Chung, N.T., H.K.
電話 Tel : (852) 2406 5666
傳真 Fax : (852) 2408 0316

- 此產品目錄以環保紙及墨印刷。
Printed with environmental friendly ink on environmental paper
- 產品規格如有變更，恕不另行通知。
- Specifications are subject to change without prior notice
- 由於印刷條件，實際顏色與本目錄會稍有差異。
- Due to printing conditions the actual colour may vary slightly from those shown

KDK Company, Division of PES
Head Office : 4017, Takaki-cho, Kasugai, Aichi, Japan
http://kdk.jp

CAT-KAM1804



SINCE 1909
JAPAN

通風系統 AIR MOVING EQUIPMENT



生活充滿新氣

Providing you with a breath of Fresh Air



15WHC07

Open Size: 364mm x 257mm
Final Size: 182mm x 257mm



SINCE 1909
JAPAN

源自日本的KDK，一直致力為你提高生活水平，提供一個清新、舒適、優質的生活環境。結合多年來的經驗，KDK不斷創造出優質、可靠的各類型通風產品，除提供為人熟悉的抽氣扇外，還有「浴室寶」浴室換氣暖風機、電風扇、抽濕機、抽油煙機、乾手機、風閘等通風產品。

KDK strives to create a fresh and comfortable living environment that makes people feel good. Accumulating experience from year to year, KDK endeavours to research and develop various types of quality and reliable ventilation products. For instance, thermo ventilators (bathroom dryer and heater), ventilating fans, electric fans, dehumidifiers, range hoods, hand dryers and air curtains.

目錄 Contents

01
KDK 簡介
Profile of KDK

02
目錄
Content

03
為什麼換氣是必要的?
Why Ventilation is Necessary?

05
換氣產品系列
Ventilation Product Lineup

09
窗口式換氣扇
Window Mount Ventilating Fan

15
浴室換氣扇
Bathroom Type Ventilating Fan

16
掛牆式換氣扇
Wall Mount Ventilating Fan

21
天花板式換氣扇
Ceiling Mount Ventilating Fan

27
抽油煙機
Range Hood

29
乾手機
Hand Dryer

33
風閘
Air Curtain

為什麼換氣是必要的？

近年來，新設計及建造的房屋比以往的更密閉以達致最佳高效節能。但殘留在密閉建築物的污染物，可能對居住者有害，並危及到房子的結構。適當的換氣設計，可以改善室內空氣質素，同時保存能源效益。

生物污染物，包括黴菌、花粉、塵蟎、寵物皮屑、病毒和細菌，普遍地在一般家庭發現，這些污染物的殘留，可能會對住戶和建築結構造成影響。

揮發性有機化合物 (VOC) 的碳基化合物，容易蒸發。這類氣體從建材、地毯、家具和許多家居用品揮發，對某些人形成不良反應。

改善室內空氣質素的方法

要改善室內空氣質素，首要應減少或消除污染物的來源。可惜，室內污染物幾乎不可能完全消除，因此需要第二個步驟 - 換氣。

Why Ventilation is Necessary?

Homes designed and built in recent years are more airtight for optimum energy efficiency. But pollutants retained in airtight buildings can be hazardous to their occupants and jeopardize structural integrity. Proper mechanical ventilation design can address poor indoor air quality, while retaining energy efficiency.

Biological pollutants, including mold, mildew, pollen, dust mites, pet dander, viruses and bacteria, are found in all homes commonly. Accumulation of these pollutants may cause hazardous effects to the occupants and building structure.

Volatile Organic Compounds (VOC) are carbon-based compounds that easily evaporate. These types of gases are released from building materials, carpets, furniture and many other solid household items. They can ultimately sensitize certain people to react to them.


Ways to Improve Indoor Air Quality

The first step to improve indoor air quality should reduce or remove the source of the pollutants. Unfortunately, indoor pollutants are virtually impossible to eliminate completely, therefore we need to take another step - ventilation.

03

有害健康的室內化學物質分為3種
Hazardous indoor chemicals can be categorized into 3 groups

化學物質 Chemicals Substance

<p>甲醛 Formaldehyde (HCHO)</p>  <p>夾板、地板、家具、牆紙 Plywood Board, Flooring, Furniture, Wall Paper</p>	<p>易揮發的有機化合物 Volatile Organic Compounds</p> <ul style="list-style-type: none"> • 甲苯 Toluene, 二甲苯 Xylene, 三甲基苯 Trimethyl Benzene • 磷酸三酯 Phosphoric Acid Triester (TCEP)  <p>不燃乙烯基布 Non-flammable Vinyl Cloth</p>	<p>有機磷 Organic Phosphoric</p>  <p>殺蟲劑 Pesticides</p>
---	--	--

來源 Origin

如何選擇換氣扇？

在密閉的居所用適當的換氣，有助於確保室內空氣質素。換氣扇應安裝近於房間內產生濕氣和空氣污染物的來源。

選擇換氣扇時，第一步是確定應用地點，例如浴室、廚房等，並決定需要什麼類型的換風設備，如窗口安裝，天花板安裝，浴室換氣暖風機等。然後根據換氣量標準決定每小時的換氣量(ACH)以配合具體應用。

第二步是計算換氣面積，所需的換氣量(風量)的計算方法如下

$$\text{房間面積} \times \text{天花板高度} \times \text{每小時的換氣量(ACH)}$$

假若換氣扇是安裝在高層建築或選用管道連接的換氣扇時，必須考慮管道阻力導致的壓力損失。這需要對管道設計和其組件造成的靜壓有基本的認識。

Sizing of Ventilating Fan

Properly sized ventilation in airtight homes helps to ensure healthy indoor air quality. Ventilating fans should be located near to the source of moisture and indoor air pollutants in the rooms.

The first step when sizing for a ventilating fan is to determine the application location, e.g. bathroom, kitchen, etc., and decide which type of ventilation equipment you need, i.e. window mount, ceiling mount, thermo ventilator or other. Then use the ventilation schedule recommendation to determine Air Change per Hour (ACH) for your specific application.

The second step is to calculate the area being ventilated. The calculation method of required volume of ventilation (air volume) is as below

$$\text{Room Area} \times \text{Ceiling Height} \times \text{Air Change per Hour (ACH)}$$

In the event of installing the fan in high rise building or duct connecting ventilating fan is selected, pressure loss due to duct resistance should be taken into account. This requires a basic understanding of static pressure caused by a duct run design and its components.

參考資料 Reference

建議型號 Recommended Model	10BAQ107 15WJA07 15WHC07	15WUE07 15AAQ107	20WHC07 20WUE07	20DLC07 20AUH07	25DLC07 25AUH07	30AUH07
房間面積 Room Size (平方呎/Sq.ft.)						
洗手間 Toilet : 20 - 70 (平方呎/Sq.ft.)						
洗手間或廚房 Toilet/Kitchen : 70 - 100 (平方呎/Sq.ft.)						
廚房 Kitchen : 100 - 200 (平方呎/Sq.ft.)						
其他房間 Other rooms : 180 - 300 (平方呎/Sq.ft.)						

★ 電動百葉窗開關設計 Electrically Operated Shutter

建築物及房間類別 Type of building and room	建議每小時換氣次數(次/小時) Recommended no. of air change per hour (n/hr)	抽氣扇尺寸 Fan Size	建議預留通風口位 Recommended ventilation opening
浴室/洗手間 Bathroom/Toilet	5-10		
廚房 Kitchen	15		
學校課室 School Classroom	12-15	6" - 8"	2.5厘米高門腳空隙 2.5cm gap between the door and the floor
公司 Office	12-15	10"	45 x 30厘米(百葉入氣口) 45 x 30cm (Louver Inlet)


注意事項 Attention:
房間內必需設置一通風口位，使達到有效的換氣效果。
Be sure to provide an appropriate ventilation opening for effective ventilation.

04

Open Size: 364mm x 257mm
Final Size: 182mm x 257mm




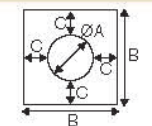
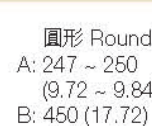
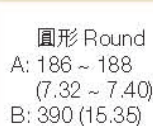
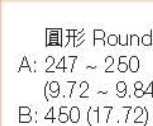
換氣產品系列 | Ventilation Product Lineup

窗口式換氣扇 Window Mount Type

型號 Model	高靜壓型 High Pressure Type		電動背板型 Electric Shutter Type	
				
扇葉尺寸 Blade Size	6" (15cm)	6" (15cm)	6" (15cm)	8" (20cm)
風量 Air Volume [CMH (CFH)]	Hi : 220 (7,770) Lo : 165 (5,830)	230 (8,121)	230 (8,121)	445 (15,723)
電動百葉背板開關 Electric Shutter	○	○	○	○
面板 Louver	○	○	○	○
安裝孔形狀/尺寸 Installation Hole Type/Size 單位: 毫米 (吋) unit: mm (inch)	 圓形 Round A: 186 ~ 188 (7.32 ~ 7.40) B: 390 (15.35) 最小 minimum C: 100 (3.94) 最小 minimum	 圓形 Round A: 186 ~ 188 (7.32 ~ 7.40) B: 390 (15.35) 最小 minimum C: 100 (3.94) 最小 minimum	 圓形 Round A: 247 ~ 250 (9.72 ~ 9.84) B: 450 (17.72) 最小 minimum C: 100 (3.94) 最小 minimum	 圓形 Round A: 247 ~ 250 (9.72 ~ 9.84) B: 450 (17.72) 最小 minimum C: 100 (3.94) 最小 minimum
玻璃厚度 [毫米] Glass Thickness [mm]	5 ~ 9	3 ~ 25	3 ~ 25	3 ~ 25
資料 Information	P.9, 13	P.10, 13	P.10, 13	P.10, 13

標準型 Standard Type

網罩型 Louver Type

型號 Model	標準型 Standard Type		網罩型 Louver Type	
				
扇葉尺寸 Blade Size	6" (15cm)	8" (20cm)	6" (15cm)	8" (20cm)
風量 Air Volume [CMH (CFH)]	210 (7,420)	420 (14,830)	192 (6,780)	342 (12,080)
電動百葉背板開關 Electric Shutter	-	-	-	-
面板 Louver	-	-	○	○
安裝孔形狀/尺寸 Installation Hole Type/Size 單位: 毫米 (吋) unit: mm (inch)	 圓形 Round A: 186 ~ 188 (7.32 ~ 7.40) B: 390 (15.35) 最小 minimum C: 100 (3.94) 最小 minimum	 圓形 Round A: 247 ~ 250 (9.72 ~ 9.84) B: 450 (17.72) 最小 minimum C: 100 (3.94) 最小 minimum	 圓形 Round A: 186 ~ 188 (7.32 ~ 7.40) B: 390 (15.35) 最小 minimum C: 100 (3.94) 最小 minimum	 圓形 Round A: 247 ~ 250 (9.72 ~ 9.84) B: 450 (17.72) 最小 minimum C: 100 (3.94) 最小 minimum
玻璃厚度 [毫米] Glass Thickness [mm]	3 ~ 7	3 ~ 7	3 ~ 7	3 ~ 7
資料 Information	P.11, 14	P.11, 14	P.12, 14	P.12, 14

掛牆式換氣扇 Wall Mount Type

型號 Model	電動背板型 Electric Shutter Type		濾網型 Filter Type	網罩型 Louver Type
				
扇葉尺寸 Blade Size	8" (20cm)	10" (25cm)	10" (25cm)	12" (30cm)
風量 Air Volume [CMH (CFH)]	560 (19,776)	882 (31,147)	835 (29,488)	935 (33,020)
電動百葉背板開關 Electric Shutter	○	○	-	-
面板 Louver	○	○	○	○
盛油杯 Oil Cup	○	○	○	○
安裝孔形狀/尺寸 Installation Hole Type/Size 單位: 毫米 (吋) unit: mm (inch)	正方 Square 250 x 250 (9.84 x 9.84)	正方 Square 300 x 300 (11.81 x 11.81)	正方 Square 300 x 300 (11.81 x 11.81)	正方 Square 350 x 350 (13.78 x 13.78)
資料 Information	P.17, 19	P.17, 19	P.16, 20	P.18, 20

標準型 Standard Type

型號 Model	標準型 Standard Type			
				
扇葉尺寸 Blade Size	6" (15cm)	8" (20cm)	10" (25cm)	12" (30cm)
風量 Air Volume [CMH (CFH)]	290 (10,241)	580 (20,480)	920 (32,490)	1,200 (42,380)
電動百葉背板開關 Electric Shutter	-	-	-	-
面板 Louver	-	-	-	-
盛油杯 Oil Cup	○	○	○	○
安裝孔形狀/尺寸 Installation Hole Type/Size 單位: 毫米 (吋) unit: mm (inch)	正方 Square 175 x 175 (6.89 x 6.89)	正方 Square 250 x 250 (9.84 x 9.84)	正方 Square 300 x 300 (11.81 x 11.81)	正方 Square 350 x 350 (13.78 x 13.78)
資料 Information	P.18, 20	P.18, 19	P.18, 19	P.18, 19

05

06

以上產品相片只供參考，實際以廠方生產的規格為準。
The product photos above are for reference only. The product information is subject to manufacturer specifications.

Open Size: 364mm x 257mm
Final Size: 182mm x 257mm

天花板式換氣扇 Ceiling Mount Type			
	直流馬達型 DC Motor Type		標準型 Standard Type
型號 Model	 24JRB	 24JAB	 17CUG
管道尺寸 Duct Size	4" (100mm)	4" (100mm)	4" (100mm)
風量 Air Volume [CMH (CFH)]	160 (5,650)	160 (5,650)	85 (3,002)
感應器控制 Sensor Operation	○	○	○
特點 Main Feature	<ul style="list-style-type: none"> - 直流馬達 - DC Motor - 紅外線感應運作 - Motion Sensor Control - 恆穩風量 - Constant airflow - 多段風量選擇 - Variable air volume - 延緩時間 - Delay Time 	<ul style="list-style-type: none"> - 直流馬達 - DC Motor - 恆穩風量 - Constant airflow - 多段風量選擇 - Variable air volume - 延緩時間 - Delay Time 	<ul style="list-style-type: none"> - 超靜音運作 - Super low noise - 離心扇葉 - Centrifugal fan
安裝孔形狀/尺寸 Installation Hole Type/Size 單位: 毫米 (吋) unit: mm (inch)	240 x 240 (9.46 x 9.46)	240 x 240 (9.46 x 9.46)	170 x 170 (6.69 x 6.69)
產品框架高度 [毫米] Height of Frame Body [mm]	213	213	164
資料 Information	P.21-22, 25	P.21-22, 25	P.23, 25
金屬型 Metal Type			
型號 Model	 24CMUA	 24CMDA	 24CMHA
管道尺寸 Duct Size	4" (100mm)	4" (100mm)	4" (100mm)
風量 Air Volume [CMH (CFH)]	100 (3,531)	165 (5,826)	210 (7,416)
感應器控制 Sensor Operation	-	-	-
特點 Main Feature	<ul style="list-style-type: none"> - 金屬結構 - Metal structure - 盒式匹配器 - Cassette type discharge adaptor 	<ul style="list-style-type: none"> - 金屬結構 - Metal structure - 盒式匹配器 - Cassette type discharge adaptor 	<ul style="list-style-type: none"> - 金屬結構 - Metal structure - 盒式匹配器 - Cassette type discharge adaptor
安裝孔形狀/尺寸 Installation Hole Type/Size 單位: 毫米 (吋) unit: mm (inch)	240 x 240 (9.46 x 9.46)	240 x 240 (9.46 x 9.46)	240 x 240 (9.46 x 9.46)
產品框架高度 [毫米] Height of Frame Body [mm]	200	200	200
資料 Information	P.24	P.24	P.24

07

電動百葉抽氣功能

Electric Shutter Can Work Under Stormy Weather

一般換氣扇背板，在強風下可能無法正常開啟，因而影響抽氣扇的運作。KDK 最新 WJA、WHC 及 DLC 型號系列，配備有電動百葉背板，由電動馬達帶動的背板，在強風下也能如常開啟，使換氣扇能正常運作。當換氣扇關閉時，電動背板亦會同時關閉，確保用戶無須再受到百葉不能關閉引致室外污染空氣、水滴及灰塵進入室內，導致環境污染及百葉所帶來的噪音影響。

Ordinary ventilation fan does not work during windy weather since the shutter cannot be opened. KDK's newest ventilation fan series (WJA, WHC and DLC) equipped with an electric shutter which is operated by a powerful motor that can keep shutter open even in stormy weather. Fan shutter will be held firmly once the unit is turned off, which blocks outside polluted air, rain and dust and avoids noise problem from outside wind.

08

Open Size: 364mm x 257mm
Final Size: 182mm x 257mm

窗口式換氣扇 Window Mount Type



15WJA07 (6")

高靜壓型
High Pressure Type
電動百葉背板開關
設計
Electrically
Operated Shutter

特點 Features

- 軸流扇在高靜壓下，仍能操作自如
Axial turbo type fan blade allows smooth operation under high static pressure
- 弧形雙百葉設計，遮風擋雨
Dome shaped hood with 2-piece shutter design for rain proof and wind resistible
- 強力通風及在高靜壓下運作
Powerful airflow and sustainable to high static pressure (Hi 90 / Lo 51 Pa)
- 前置安全網，安全美觀
Attached front louver for safety and better look
- 附設上/左/右電線出口位，使安裝靈活度更高。
3-way (upside/left/right) power cord opening for more flexibility
- 時尚設計
Modern design
- 兩種風速選擇
2-speed selectable
- 安裝簡便
Easy installation
- 方便清洗
Easy to clean
- 適合一般浴室使用
Suitable for bathroom
- 安裝玻璃厚度 5-9 毫米
Recommended glass thickness 5-9 mm
- 符合防水安全規格 IPX4 (室外)
Comply with IPX4 (Outside)



弧形設計及雙百葉設計
Dome shaped hood with 2-piece shutter design



首創兩種風速選擇
Two speed selectable



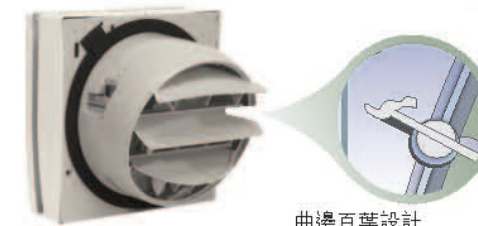
15WHC07 (6")
20WHC07 (8")

電動背板型
Electric Shutter Type
電動百葉背板開關
設計
Electrically
Operated Shutter

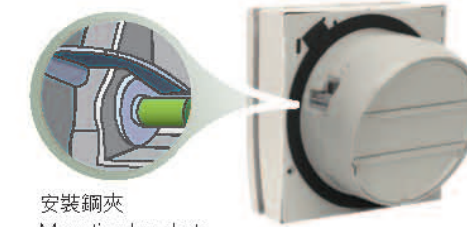
特點 Features

- 半拱形外罩及曲邊百葉設計，可減少雨水進入
Hood structure and bent end shutter prevent rain water ingress
- 獨特安裝鋼夾及簡易安裝設計，無需玻璃膠及墊圈，安裝輕易迅速
Unique mounting brackets and easy installation design, can simply fix the fan without silicon seal and gasket
- 適合安裝在3毫米至25毫米的玻璃上
Able to fix on glass plate of thickness from 3mm to 25 mm
- 時尚設計
Modern design

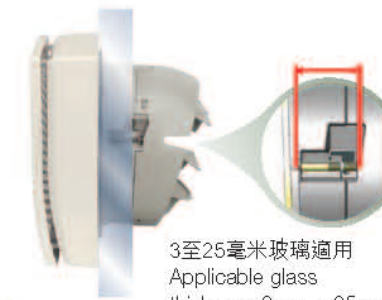
半拱形外罩
Hood structure



曲邊百葉設計
Bent end shutter



安裝鋼夾
Mounting brackets



3至25毫米玻璃適用
Applicable glass thickness 3mm ~ 25mm

09

窗口式換氣扇 Window Mount Type

10

窗口式換氣扇 Window Mount Type

窗口式換氣扇 Window Mount Type



標準型
Standard Type
15WUE07 (6")
20WUE07 (8")

- 適合一般浴室使用
Suitable for bathroom
- 符合防水安全規格IPX4 (室外)
Comply with IPX4 (Outside)

嶄新扇葉設計
Advanced Blade Design

採用嶄新扇葉設計—利用空氣動力原理，減少對氣流的任何阻力。

New blade design applies advanced aerodynamic principle to minimize any obstacles against the airflow.

特點 Features

嶄新扇葉設計
Advanced Blade Design

全新 HP馬達及軸承
New HP Motor & Bearing

低耗電量
Low Power Consumption

強化開關簾結構
Strengthened Shutter
Structure



扇葉前緣 Leading Edge

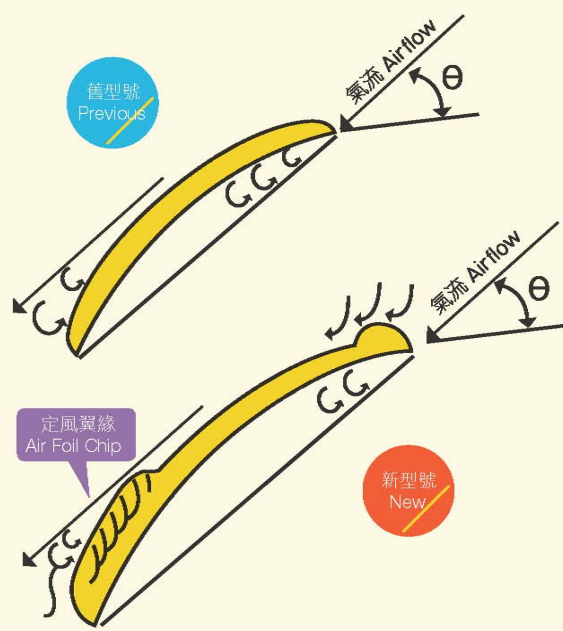
定風翼緣 Air Foil Chip

定風翼緣能減低扇葉後邊的亂流，其前方的弧度經改良後，有助氣流流動，並有效減少噪音。

Air Foil Chip is to reduce turbulence at rear edge, and curvature of front edge is improved for smooth airflow that minimizes fan noise as well.

經改良的扇葉前緣不會對氣流形成障礙，任何角度空氣都能順利流通。

Leading Edge forms no obstacle to airflow that streamlines airflow from every direction.



舊型號
Previous

定風翼緣
Air Foil Chip

新型號
New



網罩型
Louver Type
15WULA07 (6")
20WULA07 (8")

- 適合一般浴室使用
Suitable for bathroom
- 符合防水安全規格IPX4 (室外)
Comply with IPX4 (Outside)

全新 HP馬達及軸承
New HP Motor & Bearing

相對於舊型號，新型號採用高性能電容馬達及長壽命軸承，使產品更耐用持久。平均使用時間可達40,000小時，較舊型號耐用1.5倍。並且，能源消耗平均節省達50%。

Compared with previous models, new models adopt high performance condenser motor and long life bearing that prolong the product durability. Lifetime can be up to 40,000 hours, and 1.5 times compared with previous model. They also enable energy saving by reducing power consumption down to average 50%.

強化開關簾結構
Strengthened Shutter Structure

- 耐用
Durable
- 有效抵禦強風
Sustainable to strong wind

金屬製開關簾軸心，產品更堅固耐用。

Metallic Shutter axis is used as the supporter for movement of shutter that provides a better endurance.

特點 Features

嶄新扇葉設計
Advanced Blade Design

全新 HP馬達及軸承
New HP Motor & Bearing

低耗電量
Low Power Consumption

強化開關簾結構
Strengthened Shutter
Structure

防護前網罩
Front Louver for safety
protection



長壽命軸承
Long life bearing

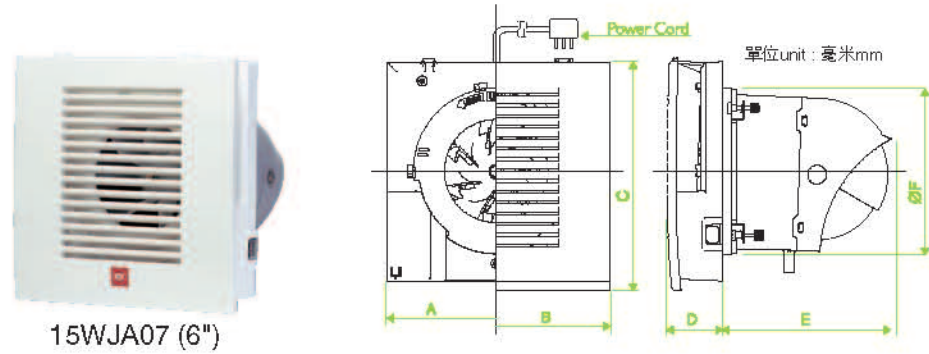


HP馬達
HP Motor



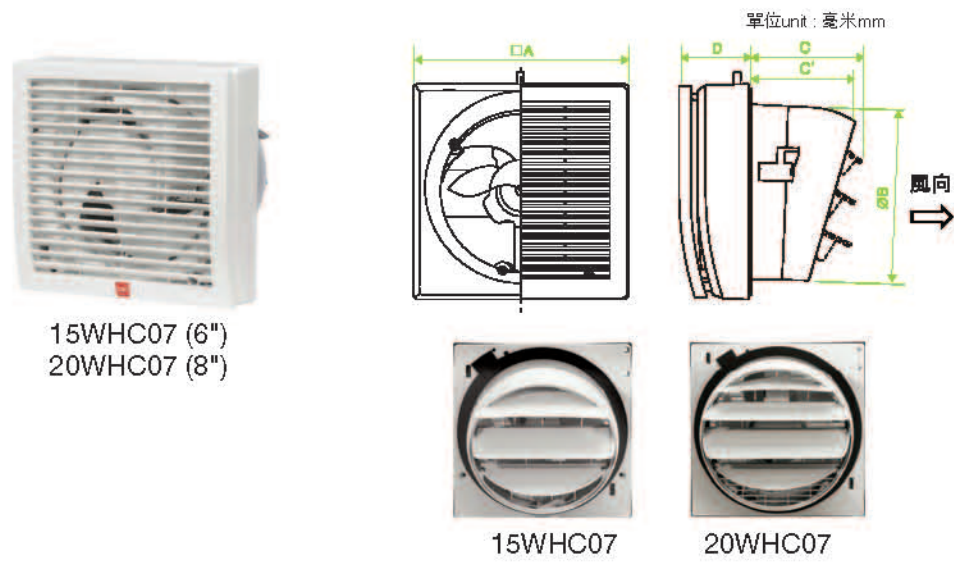
Open Size: 364mm x 257mm
Final Size: 182mm x 257mm

窗口式換氣扇 Window Mount Type



Model		A	B	C	D	E	F	Installation Size
15WJA07	mm	244	254	254	65	188	185	Ø 186 - 190
	inch	9.6	10	10	2.6	7.4	7.3	Ø 7.32 - 7.48

型號 Model No.	風量 Air Volume [CMH (CFH)]	風扇轉速 Fan Speed [R.P.M.]	噪音水平 Noise Level [dB(A)]	耗電量 Power Consumption [Watt]	淨重 Net Weight [Kg]	
15WJA07	高 High	220 (7,770)	1,960	47	27	2.4
	低 Low	165 (5,830)	1,460	38	24	

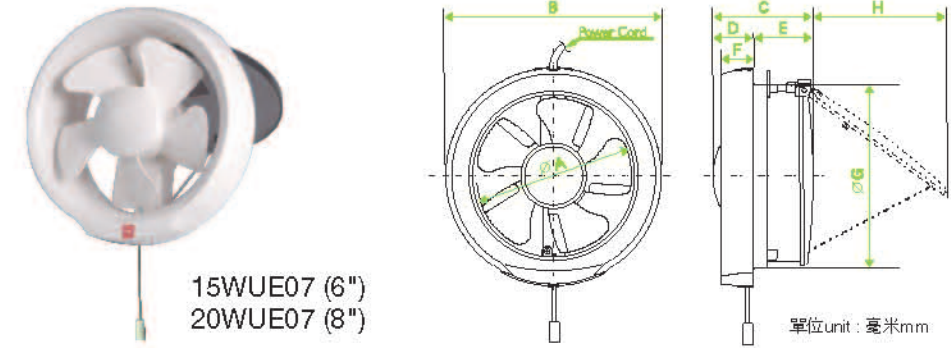


Model		A	B	C	C'	D	Installation Size
15WHC07	mm	224	182	117	111	72	Ø 186 - 188
	inch	8.82	7.17	4.61	4.37	2.84	Ø 7.32 - 7.40
20WHC07	mm	288	243	120	117	74	Ø 247 - 250
	inch	11.34	9.57	4.72	4.61	2.91	Ø 9.73 - 9.85

型號 Model No.	風量 Air Volume [CMH (CFH)]	風扇轉速 Fan Speed [R.P.M.]	噪音水平 Noise Level [dB(A)]	耗電量 Power Consumption [Watt]	淨重 Net Weight [Kg]
15WHC07	230 (8,120)	2,290	43	13	1.4
20WHC07	445 (15,710)	1,370	42	20	2.6

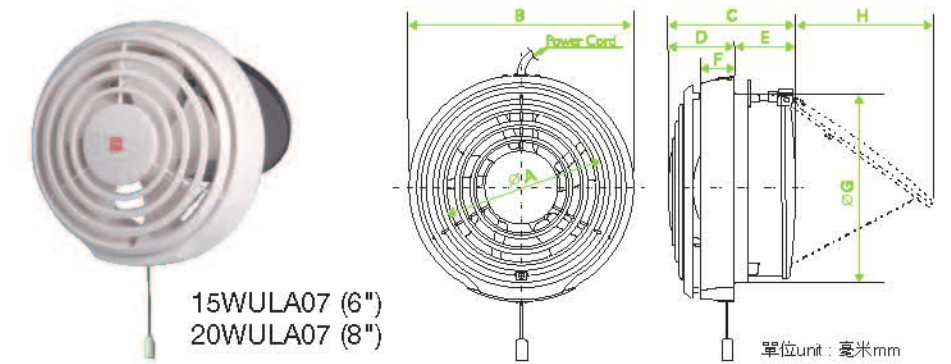
13

窗口式換氣扇 Window Mount Type



Model		A	B	C	D	E	F	G	H	Installation Size
15WUE07	mm	150	210	97	43	54	38	177	149	Ø 186 - 188
	inch	5.91	8.27	3.82	1.69	2.13	1.5	6.97	5.87	Ø 7.32 - 7.40
20WUE07	mm	200	271	98	36	62	36	237	201	Ø 247 - 250
	inch	7.88	10.67	3.86	1.42	2.44	1.42	9.33	7.92	Ø 9.73 - 9.85

型號 Model No.	風量 Air Volume [CMH (CFH)]	風扇轉速 Fan Speed [R.P.M.]	噪音水平 Noise Level [dB(A)]	耗電量 Power Consumption [Watt]	淨重 Net Weight [Kg]
15WUE07	210 (7,420)	1,524	34	7.7	0.9
20WUE07	420 (14,830)	1,205	39	17	1.2



Model		A	B	C	D	E	F	G	H	Installation Size
15WULA07	mm	150	210	97	43	54	38	177	149	Ø 186 - 188
	inch	5.91	8.27	3.82	1.69	2.13	1.5	6.97	5.87	Ø 7.32 - 7.40
20WULA07	mm	200	271	98	36	62	36	237	201	Ø 247 - 250
	inch	7.88	10.67	3.86	1.42	2.44	1.42	9.33	7.92	Ø 9.73 - 9.85

型號 Model No.	風量 Air Volume [CMH (CFH)]	風扇轉速 Fan Speed [R.P.M.]	噪音水平 Noise Level [dB(A)]	耗電量 Power Consumption [Watt]	淨重 Net Weight [Kg]
15WULA07	192 (6,780)	1,524	36	7.7	1.0
20WULA07	342 (12,080)	1,205	39	16	1.3

14

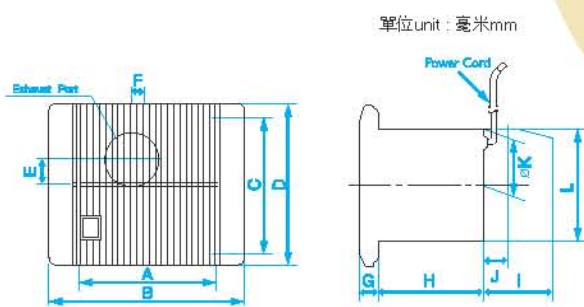
窗口式換氣扇 Window Mount Type

Open Size: 364mm x 257mm
Final Size: 182mm x 257mm

浴室換氣扇 Bathroom Type



10BAQ107 (4")



特點 Features
適合沒有窗口之浴室使用
Suitable for bathroom
without window

符合防水安全規格 IPX4 (室外)
Comply with IPX4 (Outside)

Ø100mm 可駁喉式掛牆抽氣扇
Ø100mm duct-type wall
mount ventilating fan

Model		A	B	C	D	E	F	G	H	I	J	K	L
10BAQ107	mm	180	260	178	210	34	20	24	140	90	30	74	150 x 200
	inch	7.09	10.24	7.01	8.27	1.34	0.79	0.94	5.51	3.54	1.18	2.91	5.9 x 7.87

型號 Model No.	風量 Air Volume [CMH (CFH)]	風扇轉速 Fan Speed [R.P.M.]	噪音水平 Noise Level [dB(A)]	耗電量 Power Consumption [Watt]	淨重 Net Weight [Kg]
10BAQ107	77 (2,719)	1,250	40	15	1.7



15

浴室換氣扇 Bathroom Type

掛牆式換氣扇 Wall Mount Type

特點 Features

1 卓越排氣功能 EXCELLENT EXHAUST PERFORMANCE

25AUFA07能承受高壓，在20Pa時，此換氣扇所承受的風量與目前的型號比較(25DLC07)增加大約10%。因此，更適用於抵受勁風的建築物，特別是高樓大廈。

25AUFA07 is sustainable to high static pressure. At 20Pa, its air volume can increase around 10% when compared with the current model (25DLC07), so it is more suitable for the buildings exposing strong breeze, especially in high rise buildings.

2 HP (Half-Pitch)馬達 HP (HALF-PITCH) MOTOR

高效馬達配備潤滑充足的軸承裝置，大大增加產品耐用性，加強節能效果。

The highly efficient motor equipped with well lubricated bearing that prolongs the product durability and enhances energy saving.

3 易潔塗層-簡易清潔 EASY CLEAN COATING -CONVENIENT

可拆式鋁質過濾網，經 "Hydrophobic" 易潔塗層處理。易潔塗層是一種氟化合物，能減低水份及油份跟表面的接觸。這種物料的表面張力較低，從而使油滴下來而不會黏著。

The perforated aluminum filter is processed with an easy-clean coating named "Hydrophobic Coating", It is basically a paint composed of fluorine compound particles that have small affinity with water or oil. This material has low surface tension allowing oil droplets falling on without adhering to the materials.

4 大容量盛油杯 LARGE CAPACITY OIL CUP

可拆式盛油杯備有油量顯示，其大容量設計可減少處理積油的次數。

The detachable oil indicator possesses large volume capacity that facilitates maintenance and reduces the frequency of oil disposal.

濾網型
Filter Type
25AUFA07 (10")



適合一般廚房使用
Suitable for kitchen

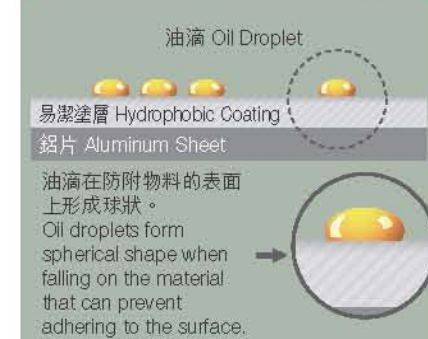
嶄新扇葉設計
Advanced Blade Design

符合防水安全規格IPX4(室外)
Comply with IPX4 (Outside)

一般塗層 Ordinary Coating



易潔塗層 Hydrophobic Coating



註：攝繪圖像，只作說明用途
Note: this is image pictures and for easy
understanding only



16

掛牆式換氣扇 Wall Mount Type

掛牆式換氣扇 | Wall Mount Type



電動背板型
Electric Shutter Type
20DLC07 (8")
25DLC07 (10")

- 適合一般廚房使用
Suitable for kitchen
- 面罩置有油杯
Oil cup equipped on orifice
- 前置安全網，安全美觀
Attached front louver for safety and better outlook
- 符合防水安全規格 IPX4 (室外)
Comply with IPX4 (Outside)

特點 Features

電動百葉背板開關設計
Electrically Operated
Shutter

嶄新扇葉設計
Advanced Blade Design

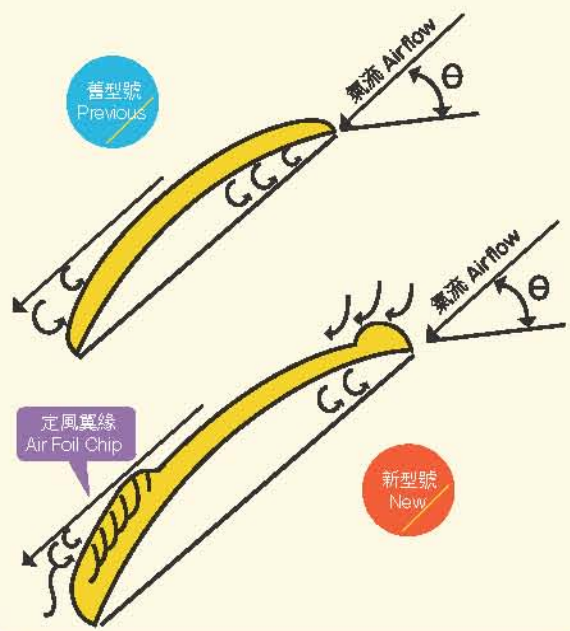
全新 HP 馬達及軸承
New HP Motor & Bearing

低耗電量
Low Power Consumption

嶄新扇葉設計 Advanced Blade Design
(30ALF07 / 30AUH07 / 15AAQ107 除外)
(Except 30ALF07 / 30AUH07 / 15AAQ107)

同樣均採用嶄新扇葉設計—利用空氣動力原理，減少對氣流的任何阻力。

New blade design are also applied. It uses advanced aerodynamic principle to minimize any obstacles against the airflow.



定風翼緣 Air Foil Chip
定風翼緣能減低扇葉後邊的亂流，其前方的弧度經改良後，有助氣流流動，並有效減少噪音。

Air Foil Chip is to reduce turbulence at rear edge, and curvature of front edge is improved for smooth airflow that minimizes fan noise as well.

經改良的扇葉前緣不會對氣流形成障礙，任何角度空氣都能順利流通。

Leading Edge forms no obstacle to airflow that streamlines airflow from every direction.



標準型
Standard Type
20AUH07 (8")
25AUH07 (10")
30AUH07 (12")



網罩型
Louver Type
30ALF07(12")



15AAQ107(6")

- 適合一般廚房使用
Suitable for kitchen
- 面罩置有油杯
Oil cup equipped on orifice
- 符合防水安全規格IPX4 (室外)
Comply with IPX4(Outside)

特點 Features

嶄新扇葉設計
Advanced Blade Design

全新 HP 馬達及軸承
New HP Motor & Bearing

低耗電量
Low Power Consumption

全新 HP 馬達及軸承 New HP Motor & Bearing

比較舊型號，新型號採用高性能電容馬達及長壽命軸承，使產品更耐用持久。平均使用時間由30,000小時增至60,000小時。並且，能源消耗平均節省達13%。

Compared with previous models, new models adopt high performance condenser motor and long life bearing that prolong the product durability. From average 30,000 hours life time to 60,000 hours. They also enable energy saving by reducing power consumption down to average 13%.



新型號採用 HP 馬達及軸承
"HP motor" and "Bearing"
used in new models

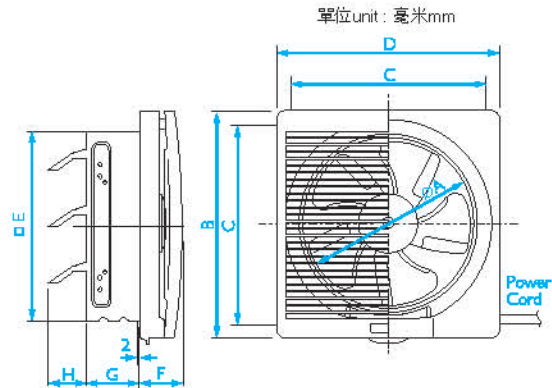


舊型號
Previous Models



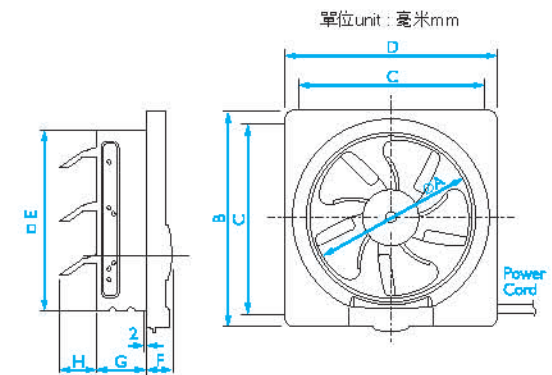
Open Size: 364mm x 257mm
Final Size: 182mm x 257mm

掛牆式換氣扇 Wall Mount Type



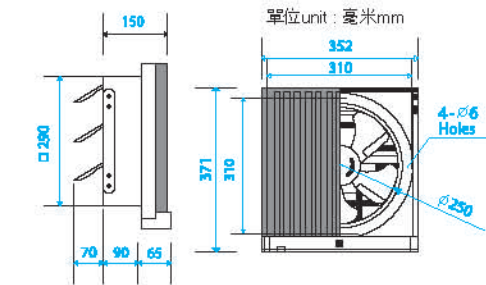
Model		A	B	C	D	E	F	G	H	Installation Size
20DLC07	mm	200	306	260	302	240	68	90	80	250 x 250
	inch	7.87	12.05	10.24	11.89	9.45	2.68	3.54	3.15	9.84 x 9.84
25DLC07	mm	250	356	310	352	290	63	90	63	300 x 300
	inch	9.84	14.02	12.20	13.86	11.42	2.48	3.54	2.48	11.81 x 11.81

型號 Model No.	風量 Air Volume [CMH (CFH)]	風扇轉速 Fan Speed [R.P.M.]	噪音水平 Noise Level [dB(A)]	耗電量 Power Consumption [Watt]	淨重 Net Weight [Kg]
20DLC07	560 (19,776)	1,210	38	22	2.5
25DLC07	882 (31,147)	1,060	40	30	2.9



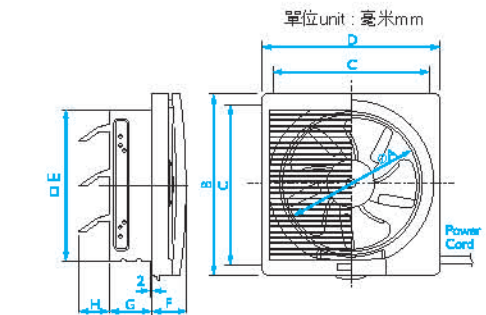
Model		A	B	C	D	E	F	G	H	Installation Size
20AUH07	mm	200	306	260	302	240	52	90	80	250 x 250
	inch	7.87	12.05	10.24	11.89	9.45	2.05	3.54	3.15	9.84 x 9.84
25AUH07	mm	250	356	310	352	290	38	90	63	300 x 300
	inch	9.84	14.02	12.20	13.86	11.42	1.50	3.54	2.48	11.81 x 11.81
30AUH07	mm	300	406	360	402	340	38	90	78	350 x 350
	inch	11.81	15.98	14.17	15.83	13.39	1.50	3.54	3.07	13.78 x 13.78

型號 Model No.	風量 Air Volume [CMH (CFH)]	風扇轉速 Fan Speed [R.P.M.]	噪音水平 Noise Level [dB(A)]	耗電量 Power Consumption [Watt]	淨重 Net Weight [Kg]
20AUH07	580 (20,480)	1,245	38	22	2.0
25AUH07	920 (32,490)	1,125	39	29	2.4
30AUH07	1,200 (43,380)	1,030	39	29	2.7



25AUA07 (10")

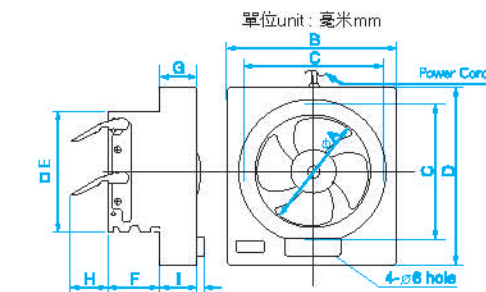
型號 Model No.	風量 Air Volume [CMH (CFH)]	風扇轉速 Fan Speed [R.P.M.]	噪音水平 Noise Level [dB(A)]	耗電量 Power Consumption [Watt]	淨重 Net Weight [Kg]
25AUA07	835 (29,488)	1,100	42	34	2.8



30ALF07 (12")

Model		A	B	C	D	E	F	G	H	Installation Size
30ALF07	mm	300	400	360	400	340	63	90	78	350 x 350
	inch	11.81	15.75	14.17	15.75	13.39	2.48	3.54	3.07	13.78 x 13.78

型號 Model No.	風量 Air Volume [CMH (CFH)]	風扇轉速 Fan Speed [R.P.M.]	噪音水平 Noise Level [dB(A)]	耗電量 Power Consumption [Watt]	淨重 Net Weight [Kg]
30ALF07	935 (33,020)	905	39	29	3.1



15AAQ107 (6")

Model		A	B	C	D	E	F	G	H	I	Installation Size
15AAQ107	mm	150	240	195	254	170	75	55	54	52	175 x 175
	inch	5.91	9.45	7.68	10.00	6.69	2.95	2.17	2.13	2.05	6.89 x 6.89

型號 Model No.	風量 Air Volume [CMH (CFH)]	風扇轉速 Fan Speed [R.P.M.]	噪音水平 Noise Level [dB(A)]	耗電量 Power Consumption [Watt]	淨重 Net Weight [Kg]
15AAQ107	290 (10,241)	1,480	31	15	1.4

Open Size: 364mm x 257mm
Final Size: 182mm x 257mm

天花板式換氣扇 Ceiling Mount Type



24JRB



24JAB

1 節能、直流馬達 Energy Saving - DC Motor 能源效益 Consumption Reduction

換氣扇採用直流馬達，可減少電力消耗，節省能源。
運作時直流馬達的溫度升得比交流馬達少，所以直流馬達的壽命比交流馬達相對較長。

These fans are adopted with Direct Current (DC) Motor to reduce power consumption in order to save energy.

While operating, temperature rise of DC motor is comparatively lower than AC motor that lifetime of DC motor is longer than AC motor accordingly.



2 風量、恆穩輸出 Air Flow - Constant Output 智能技術 Intelligent Technology

	靜壓 Static Pressure	24JRB	24CMDA
風量 Air Volume	0Pa	160	165
	51Pa	160	125

21 換氣扇採用智能技術，以恆穩的風量運作，不會因為彎管(elbows)和其它影響風量的因素而降低。
基本上，當風扇面對靜壓時，其轉速會自動增加，以確保預設的風量而達到肯定的功效及抽氣表現。

These fans are equipped an intelligent technology, by which the fans perform at a constant airflow regardless of elbows and factors that might affect the performance.

Basically, when the fan faces static pressure, its speed is automatically increased to ensure the desired air flow and allows the fan to perform as rated.

3 延緩時間 - 15分鐘 Delay Time - 15 Minutes 便利生活 Convenience

當換氣扇被關掉或在15分鐘內，沒有感測到任何動作，它會轉至預設的低風速運作。

These fans are equipped with a Delay Timer 15 minutes. As the fan is switched off or without any motion detected after a period of time set by the user, it will return to the present low air volume level.

天花板式換氣扇 Ceiling Mount Type

4 風量 - 4 段選擇 Air Volume - 4 Variables 彈性選擇 High Flexibility

換氣扇設有多段風量調校，可選擇以 80-160 CMH或停止 0 CMH 運行，每當啟動開關或經紅外線感應起動時，風量會提升至最高160CMH。

These fans are equipped with Variable Speed Control that allows the fans to run at preset lower level of 80-160 CMH or 0 CMH, then be elevated to a maximum of 160 CMH when the switch is turned on, or activated via the Motion Sensor.



風量調校型
Air Volume Adjustment Switch

調校範圍 [CMH]
0 / 80 / 120 / 160

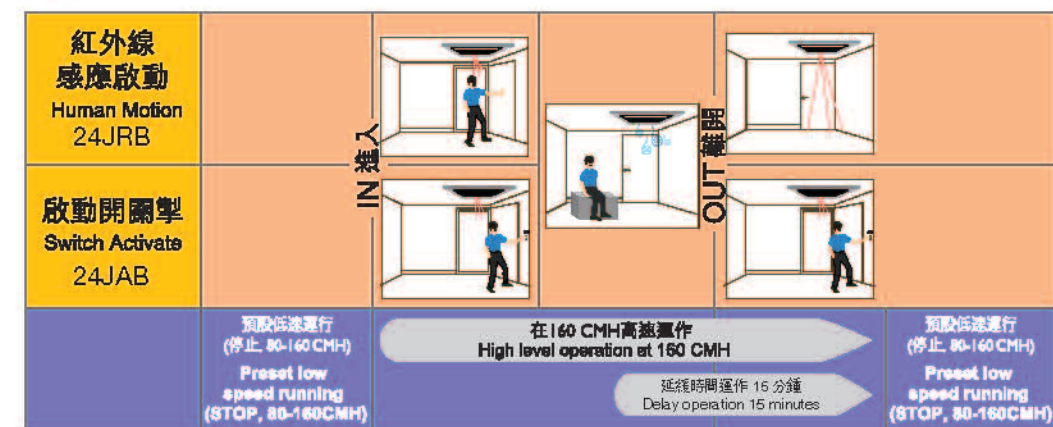
5 感應器 - 紅外線感應 Sensor - Motion Sensor 自動運作 Auto Operation

24JRB設有"紅外線感應"，可在您進入房間時自動啟動，離開後自動關上。

Just updated with the "Motion Sensor" ventilating fan 24JRA which can be switched on automatically when you enter the room and switched off itself again after you leave.

22

6 局部換氣及全面換氣的運作 The operation of spot ventilation and whole ventilation



天花板式換氣扇 Ceiling Mount Type

Open Size: 364mm x 257mm
Final Size: 182mm x 257mm

天花板式換氣扇 Ceiling Mount Type

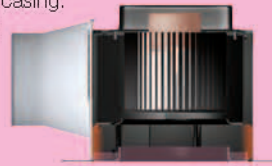


17CUG

透過「雙重面罩」結構，噪音有效地降低而雙重面罩及外殼之間所產生的噪音亦可減少。

By the "Double Orifice" Structure, noise are effectively absorbed and reduced between the double orifice and casing.

(只適用於17CUG)
(Only for 17CUG)



1 長壽命 Long Life

- 獨特設計的馬達以及高度潤滑的滾珠軸承，可減低溫度上升，從而增加馬達壽命及延長產品之耐用性。
- The unique design of new motor, incorporates with well-lubricated ball bearings, temperature rise is reduced that can increase the motor life time and prolongs the product durability.

3 超靜音運作 Super Low Noise Operation

- "雙重面罩" 的獨創結構能使抽氣扇所產生的噪音傳輸減到最少。這技術可進一步使操作噪音降低至30分貝以下，並為你造舒適的環境。
- Distinctive structure "Double Orifice" minimizes the transmission of noise from fan and motor to exterior. This technology further reduces the operation noise to incredibly low level below 30dB(A) through "Resonance-Noise-Absorption" which creates a tranquility and silent environment for your life.

2 性能卓越 High Efficiency

- 獨特扇葉設計有效控制了扇葉周圍產生的亂流，實現了扇葉整體強力流暢的換氣功能及減低噪音。
- 獨特的鉗接加工技術，確保了主機外殼的強度及密封性。
- 備有防逆流百葉，防止室外強風倒灌。
- Special blade design effectively controls the air turbulence surrounding the blade. That achieves the strong and smooth ventilation performance, as well as reduces the noise level, by whole of the blade.
- Rivet processed casing ensures strength and hermetic sealing.
- Reverse flow prevention shutter results in further improvement of air tightness.

4 簡易安裝 Easy Installation

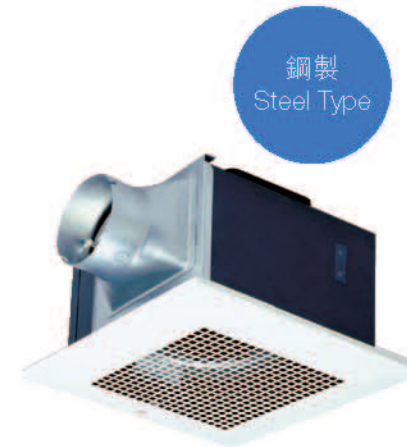
- 盒式匹配器，使進行通風管道的連接工作，更方便快捷。
- Cassette type discharge adaptor facilitating installation of the product, as well as ductwork connecting.

5 簡易維修 Easy Maintenance

- 一按式入風面板，可以簡單地進行安裝及拆卸工作，方便清潔。
- One touch louver allows installation and removal of louver by finger touch.

23

天花板式換氣扇 Ceiling Mount Type

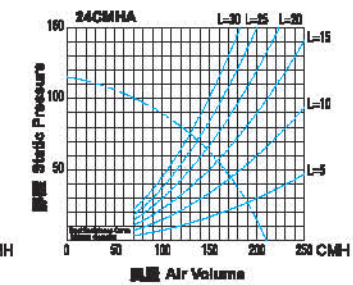
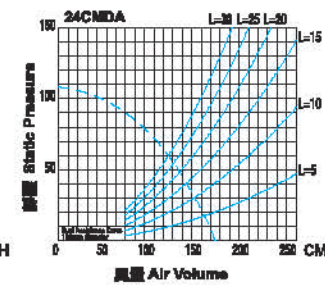
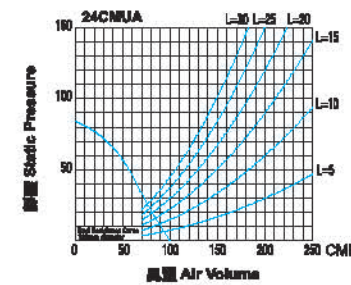


鋼製
Steel Type

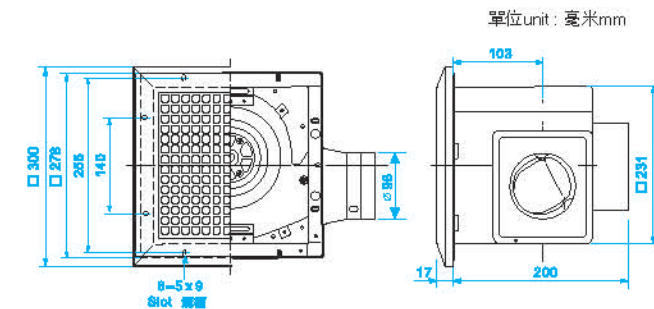
- 24CMUA • 外殼 Casing 金屬 Metal
- 24CMDA • 扇葉 Blade 金屬 Metal
- 24CMHA • 面罩 Louver 金屬 Metal

特點 Features

- 全鋼型號
Steel Type
- 高性能離心扇
High performance sirocco fan
- 可拆式方圓匹配器
Detachable round to square adaptor
- 簡單彈簧式入風面板
Spring snap-in front louver



24



型號 Model No.	風量 Air Volume [CMH (CFH)]	風扇轉速 Fan Speed [R.P.M.]	耗電量 Consumption [Watt]	噪音 Noise [dB(A)]	淨重 Net Weight [公斤][Kg]	安裝尺寸 Installation Hole Size [毫米][mm]	導管直徑 Duct Diameter [毫米][mm]
24CMUA	100 (3,531)	495	11	26	3.9	240 x 240	Ø 100
24CMDA	165 (5,826)	670	18	33	3.9		
24CMHA	210 (7,416)	800	25	38	3.9		

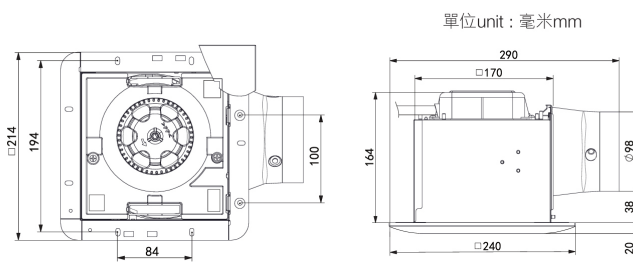
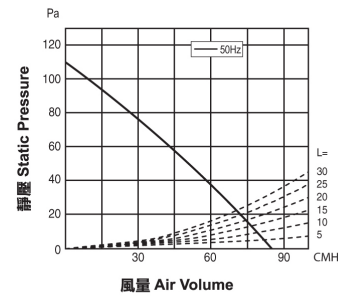
天花板式換氣扇 Ceiling Mount Type

Open Size: 364mm x 257mm
 Final Size: 182mm x 257mm

天花板式換氣扇 Ceiling Mount Type



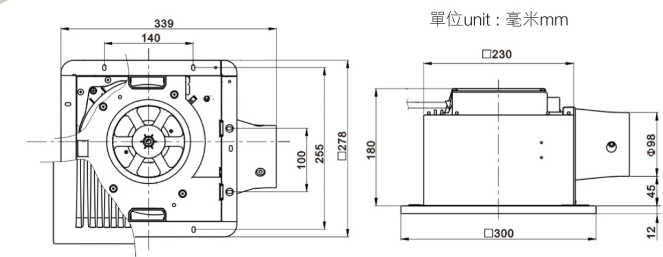
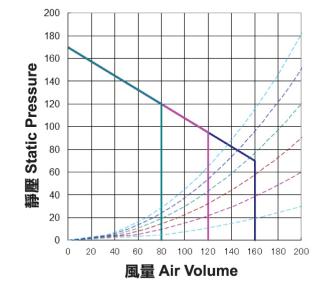
17CUG



型號 Model No.	風量 Air Volume [CMH (CFH)]	風扇轉速 Fan Speed [R.P.M.]	耗電量 Consumption [Watt]	噪音 Noise [dB(A)]	淨重 Net Weight [公斤][Kg]	安裝尺寸 Installation Hole Size [毫米][mm]	導管直徑 Duct Diameter [毫米][mm]
17CUG	85 (3,002)	750	8.5	23.5	1.9	177x177	Ø 100



24JAB

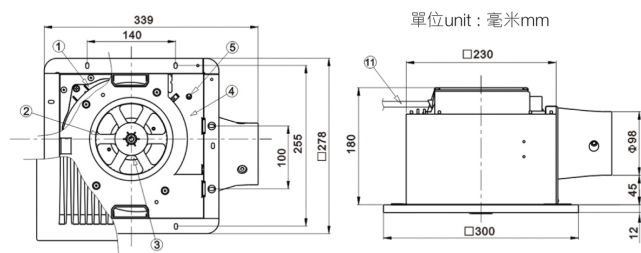
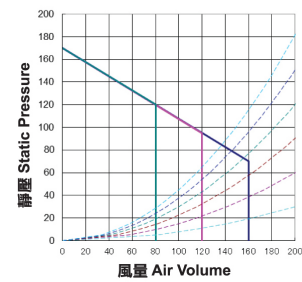


型號 Model No.	風量 Air Volume [CMH (CFH)]	風扇轉速 Fan Speed [R.P.M.]	耗電量 Consumption [Watt]	噪音 Noise [dB(A)]	淨重 Net Weight [公斤][Kg]	安裝尺寸 Installation Hole Size [毫米][mm]	導管直徑 Duct Diameter [毫米][mm]
24JAB	0 Pa	160 (5,650)	792	8	2.9	240x240	Ø 100
	51 Pa	160 (5,650)					
	63 Pa	160 (5,650)					

25



24JRB



型號 Model No.	風量 Air Volume [CMH (CFH)]	風扇轉速 Fan Speed [R.P.M.]	耗電量 Consumption [Watt]	噪音 Noise [dB(A)]	淨重 Net Weight [公斤][Kg]	安裝尺寸 Installation Hole Size [毫米][mm]	導管直徑 Duct Diameter [毫米][mm]
24JRB	0 Pa	160 (5,650)	794	8	2.9	240x240	Ø 100
	51 Pa	160 (5,650)					
	63 Pa	160 (5,650)					

天花板式換氣扇 Ceiling Mount Type

26

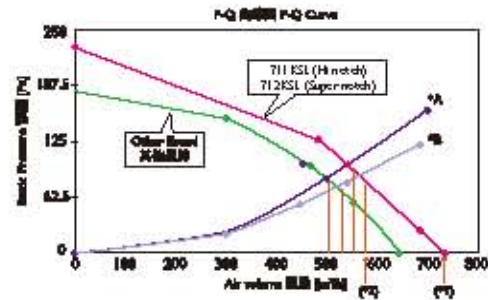
天花板式換氣扇 Ceiling Mount Type

抽油煙機 Range Hood

為什麼選擇KDK抽油煙機?
Why choose KDK range hood?

1 性能卓越 High Performance

- 當靜壓為0時，風量可達720m³/h(*1)。
- Air volume up to 720m³/h if static pressure is 0 Pa(*1)
- 吸力強勁，在模擬實際使用之環境下，吸力仍可達到580m³/h(*2)。
- Extraction power is sufficient enough even in actual usage; air volume can maintain up to 580m³/h in simulation condition(*2)
- 獨有的千葉渦輪扇葉能產生更穩定的風量。
- Sirocco fan can produce stable air volume when static pressure is high.



27

- 模擬使用情況
- Simulation condition
- A 使用情況：當使用15米長的導管時的空氣阻力。
- Condition A : Air resistance curve when duct of length 15m is used.
- B 使用情況：安裝了1.5米長的導管及網罩(*2)。
- Condition B : 1.5m duct and grill is installed(*2).
- 經過各種測試後，而得出以下結論：
- We have the following conclusion after different testings:

	Air Volume 風量 m³/h	
	Condition A	Condition B
711KSL (Hi notch)	550	580
Other Brand 其他品牌	500	530

2 千葉渦輪扇葉設計·吸力強勁 Powerful Sirocco Fan Design

- 以先進流體力學原理設計的千葉渦輪(Sirocco Fan)，轉動時能產生強勁的旋渦氣流，將空氣中的油煙和飄浮的油霧迅速收集及抽走，不但有效抽除油煙，連油煙味亦一併清除。加上流線型內膽，運作寧靜順暢。
- The Sirocco fan applies advanced aerodynamic theory in a revolutionary design to create a powerful airflow capable of removing smoke, smell and oil mist with ease.



3 超靜音運作 Whisper Silent

- 千葉渦輪配合流線型內膽，操作寧靜，噪音更可低至54分貝。
- Sirocco fan maintains better performance than turbo fan and keeps a low noise level at 54dB.

4 延遲關機設計 Prolonged Off-Timer

- 烹調完畢後，預設的延長抽油煙機時間功能(8分鐘)，把剩餘的油煙、異味排走後，便會自動開機，確保廚房乾淨清爽。(只適用於712KSL)
- The 8-minute prolonged off-timer design absorbs residual oil vapor after cooking (712KSL only).

5 易拆洗 Easy Detachable

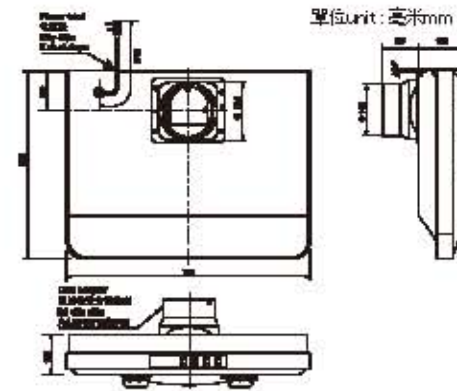
- 護罩及扇葉能輕易拆除，以便清洗。
- Fan guards and fans can be simply detached for cleaning.

6 時尚設計 Attractive Design

- 機身厚度只有120mm，配合不同廚房設計。
- Product Height only 120mm can match your interior of kitchen perfectly.



711KSL



單位Unit: 毫米mm

型號 Model No.	速度 Speed	風量 Air Volume [CMH]/[CFH]	耗電量 Power Consumption [Watt]	噪音水平 Noise Level [dB(A)]	靜壓 Static Pressure [Pa]	淨重 Net Weight [Kg]
711KSL	Hi	720 (25,416)	140	54	232	17
	Lo	400 (14,120)	172			

特點 Features

易拆式設計 (可拆下扇葉清洗)
Easy clean design (Detachable fan for cleaning)

超靜音運作
Whisper silent operation

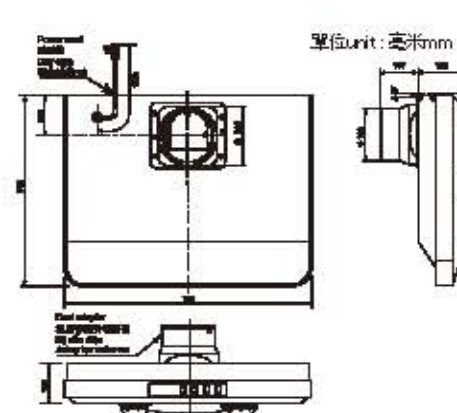
千葉渦輪扇葉，適合高靜壓環境使用
Sirocco fan overcomes high static pressure environment

120mm纖巧機身
Slim design of 120mm

左/右扇葉獨立開關
Left/right separate operation



712KSL



單位Unit: 毫米mm

型號 Model No.	速度 Speed	風量 Air Volume [CMH]/[CFH]	耗電量 Power Consumption [Watt]	噪音水平 Noise Level [dB(A)]	靜壓 Static Pressure [Pa]	淨重 Net Weight [Kg]
712KSL	Super	720 (25,416)	140	54	232	17
	Hi	500 (17,650)	95			
	Lo	400 (14,120)	72			

特點 Features

易拆式設計 (可拆下扇葉清洗)
Easy clean design (Detachable fan for cleaning)

超靜音運作
Whisper silent operation

千葉渦輪扇葉，適合高靜壓環境使用
Sirocco fan overcomes high static pressure environment

120mm纖巧機身
Slim design of 120mm

輕觸式開關
Soft touch panel operation

延遲關機功能
Prolonged off-timer

28

Open Size: 364mm x 257mm
Final Size: 182mm x 257mm

乾手機 Eco-Dry (Hand Dryer)

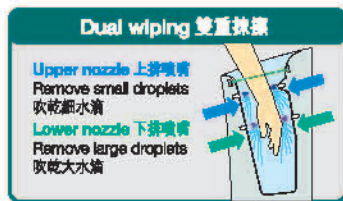
全新特點 New Features

1 性能卓越 High Performance

- 速乾雙手 Quick Drying
- 低耗電量 Low Power Consumption

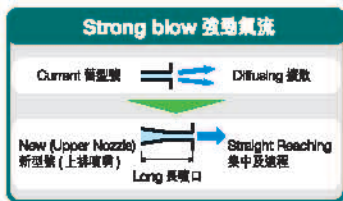
KDK全新噴射式乾手機的兩面四排噴射氣流能以較小耗電量於短時間內迅速吹乾雙手，與之前產品比較，新型號可以每年節省可達31%的耗電量(*)，並提升44%效率。

Double-side and quad-row jet airflow of KDK Jet Type Hand Dryer enables shorter drying time to dry hands. With less power consumption. Compared with previous model, the new model can save up to 31% yearly power consumption(*) with 44% efficiency increased.



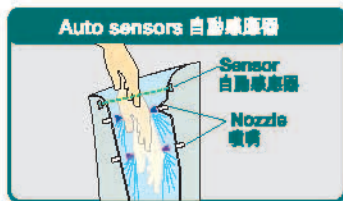
兩面四排氣流噴嘴實踐雙重抹擦效果，乾燥性能更特出。

Double-side and quad-row nozzles enable dual wiping effect for excellent drying.



長錐形噴嘴產生強勁氣流形成噴射乾燥效果。

Conical flask shaped nozzles generate strong blow airflow for jet drying effect.



自動感應器的設置於噴嘴上方，配合噴射氣流，實現高能源效益。

Auto sensors are perfectly situated over the nozzles to optimize quick drying operation. Together with jet airflow, high energy efficiency is achieved.

(*) 以每日400次及每年300日使用量計算。
Calculation based on usage at 400 times per day and 300 days per year.

2 優化設計 Smart Design

- 低噪音 Low Noise Level
- LED提示燈 LED Indication Light

獨特V形設計，在運行時產生較低的噪音，使用更舒適。藍色的LED燈不僅美觀，更可提醒您乾燥時間即將完畢。

V-taper drying chamber allows operation at lower noise level, that ensures more user-friendly.

Not only having an attractive look, the blue LED light also reminds you the elapsed time of drying.

乾燥操作若干秒後，藍色LED燈將閃爍，直到完成30秒運行後停止操作。
The blue LED light will blink after drying for certain seconds, until the operation is stopped after 30 seconds.

3 靈活設定 High Flexibility

乾手機一年四季都使用，KDK乾手機可因應不同的環境來選擇使用功能。

Hand dryers would be used all year round. Functional selection of KDK hand dryer are significant for different environment.

設置各種功能的開/關掣，讓你選擇最適合的運作。

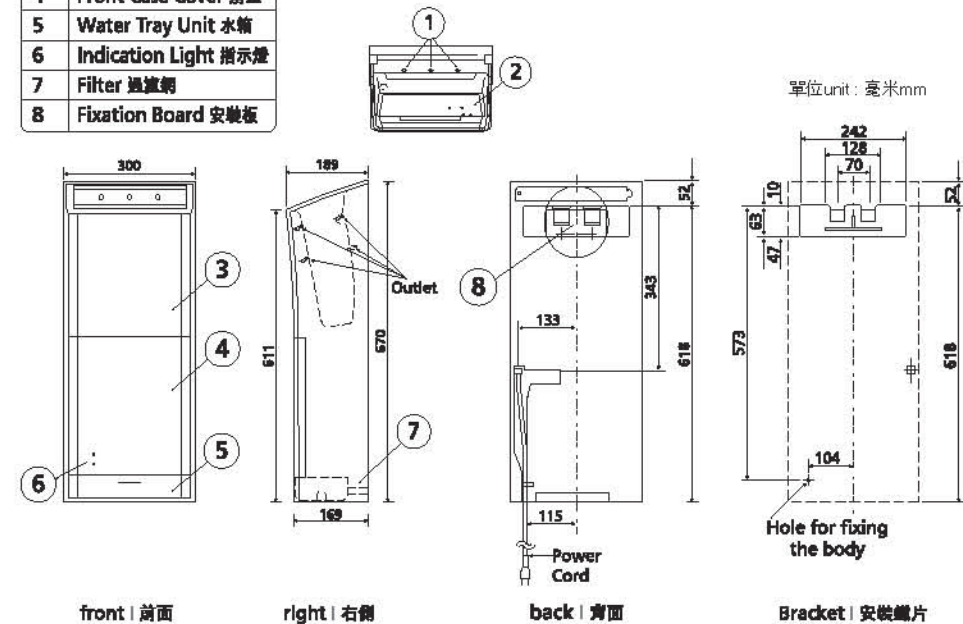
On/Off Switch for various functions lets you select your favorite operation.



White 白色 Silver 銀色

T10TA

No.	Part 部件
1	Sensor 感應器
2	Drying Box 乾手部份
3	Body 機身
4	Front Case Cover 前蓋
5	Water Tray Unit 水箱
6	Indication Light 指示燈
7	Filter 過濾網
8	Fixation Board 安裝板



型號 Model	電壓 Rated Voltage [V]	頻率 Rated Frequency (Hz)	功率 Gross Rated Power (W)	電流 Rated Current (A)	功率 (高/低) Power (Hi/Lo) (W)		電流 (高/低) Current (Hi/Lo) (A)		淨重 Net Weight [Kg]
					發熱器 (開) Heater (ON)	發熱器 (關) Heater (OFF)	發熱器 (開) Heater (ON)	發熱器 (關) Heater (OFF)	
T10TA	220	50	1,250	6	1,250/940	800/471	6/5	3.5/3	8

特點 Features

兩面四排噴射氣流實現快速乾手
Double-side and quad-row jet airflow for quick hand-drying

低耗電量
Low power consumption

低噪音
Low noise level

LED提示燈
LED indication light

各種功能的開關掣
On-off switch for various function

採用抗菌物料(乾手部份)
Anti-bacteria material adopted (drying section)

備有超級抗菌過濾網
Super alleru-buster filter equipped

1公升大容量水箱，並備有積水提示
1 litre water tray with full tank indicator

Open Size: 364mm x 257mm
Final Size: 182mm x 257mm

乾手機 Eco-Dry (Hand Dryer)



1 超級抗敏過濾網 Super Alleru-Buster Filter

- 透過超級抗敏過濾網能確保吹出的氣流清潔乾爽。
- Super Alleru-Buster filter is equipped to ensure the air blow to your hand is clean and healthy.

2 抗菌物料 Anti-bacteria Material

- 溫暖潮濕的環境是霉菌的潛床，故令細菌容易滋生；因此快、速、乾採用了獨特抗菌物料，這正可阻止霉菌生長蔓延。
- A warm and humid environment provides a breeding ground for bacteria, such as in washroom; so the product body is adopted with anti-bacteria material in order to prevent the growth of bacteria and germs.

3 發熱器開關掣 heater ON/OFF Switch

31

- 在夏天期間，關掉發熱器掣可減少能源消耗。其改良後所吹出的高速涼風仍能把手上的水份在短時間內吹乾。
- In Summer, heater can be switched off for energy saving. The cool airflow with high velocity can dry up your hands in a short time.



4 運作安全 Safety Operation

- 快、速、乾會於連續運作60秒後自動停止。
- Power Dry will stop after 60 seconds of continuous operation.
- 當發熱器超出負荷時，安全指示燈亦會即時亮起。
- "CHECK" sign will light up when the unit detects overheated.

乾手機 Eco-Dry (Hand Dryer)

5 附設水箱 (只限於 T09AC 型號) Drain Pan (only for T09AC Model)

- 獨特水箱設計，能大大減少地面濕滑情況，避免意外發生。
- Unique drain pan of Eco-Dry reduces water dripping on floor to avoid slippery.

6 水滿指示 (只限於 T09AC 型號) Full Tank Indicator (only for T09AC model)

- 快、速、乾備有積水提示，可提醒水滿時清理積水。
- Remind you for cleaning up the water tank when it is full.

7 快速自動感應 Quick Response Sensor

- 使用者無須接觸任何按鈕，運作簡易方便。
- Automatic sensor operation, no physical contact is required to activate the unit.

8 安裝容易 Easy

- 附有掛牆金屬扣，安裝穩當。
- Attached metallic bracket for wall hanging purpose.
- 新穎及流線型外觀既合室內設計，且不佔用太多空間。
- Stylish and streamline design fits most.



9 可拆式水箱 (只限於 T09AC 型號) Water Tray (only for T09AC model)

- 水值容量可達至1,000毫升；其推拉式設計易於清理積水。
- Absorbing up to 1,000ml of water, the slideout design allows easy cleaning of water tray.



T09AC

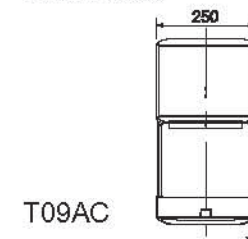


T09BC

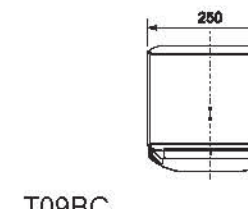
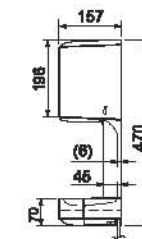
特點 Features

- 強勁風速約100m/s
Powerful air velocity of 100m/s
- 紅外線自動感應
Infra-red motion sensor
- 超級抗敏過濾網
Super Alleru-Buster Filter
- 過熱停止功能
Auto-stop feature for overheat protection
- 獨特盛水器設計 (只適用於T09AC)
Unique drain pan and water tray (For T09AC only)
- 安全指示燈功能
Safety check light function
- 抗菌外殼物料
Anti-bacteria casing material
- 附設懸掛鐵片
Supply with metal mounting plate
- 發熱器開關掣
Heater ON/OFF Switch

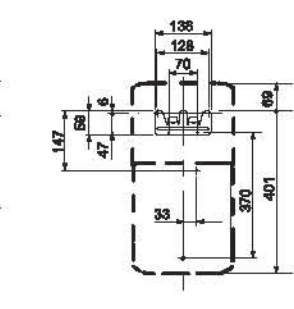
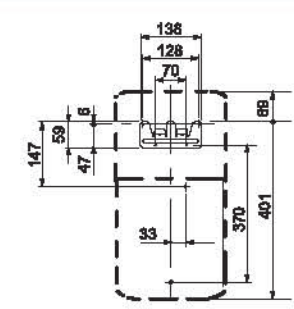
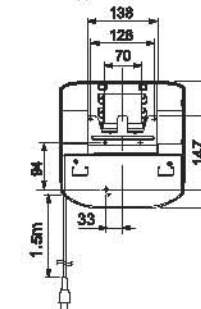
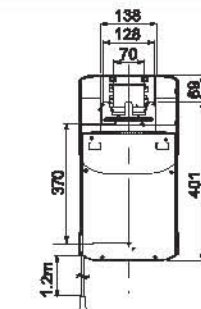
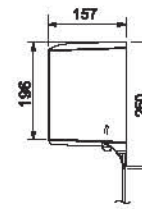
單位unit: 毫米mm



T09AC



T09BC



32

乾手機 Eco-Dry (Hand Dryer)

型號 Model No.	風速 Air Velocity [m/s]	水箱 Water tray	耗電量 Power Consumption [Watt]		安裝方法 Installation Type	淨重 Net Weight [Kg]
			發熱器(開) Heater (ON)	發熱器(關) Heater (OFF)		
T09AC	100	Yes	1,020	650	Wall Mount	4
T09BC	100	No	1,020	650	Wall Mount	3.5

Open Size: 364mm x 257mm
Final Size: 182mm x 257mm

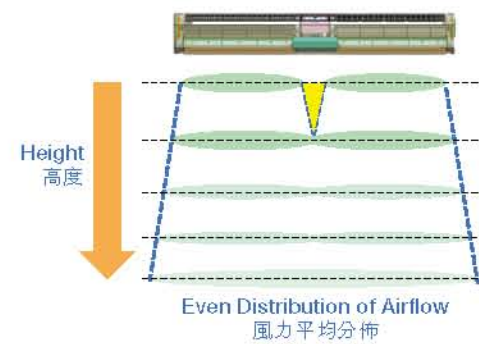
風閘 Air Curtain

增強功能及作業性 Improved Functionality and Workability



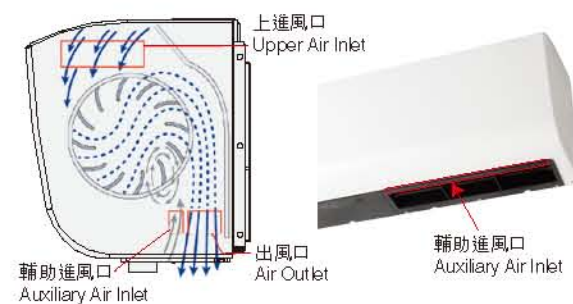
增強阻斷效能 Efficient Barrier Effect

貫流風輪設計大大減少出風口盲點及減低噪音，而且出風風力分佈更平均。
Hybrid Cross Flow Fan creates wide and uniform airflow with low noise level.



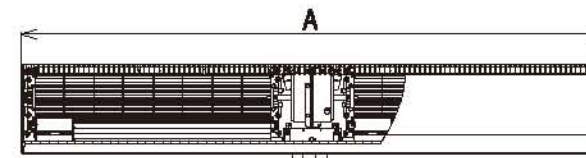
容易清洗 Convenient Cleaning

新增輔助進風口，特殊結構設計讓扇葉與面板間自動產生風路回流，繼而帶動灰塵流動，減少積塵，解決以往扇葉難以清洗的問題。
Auxiliary Air Inlet and the Cross Flow Fan can generate air current between the fan and front cover forming movement of dust that reduces accumulation of dust on the fan blade.

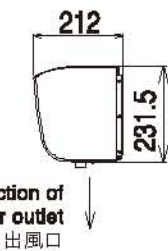


- 適合安裝於3米高樓底
Applicable for 3m ceiling height
- 牆上簡便安裝
Simple wall-hang installation
- 可根據使用環境調整導流板，以達到理想的隔斷效果
Air deflection vents easily adjust air flow direction
- 開關設於機體上，有高、低兩段風速
2-speed changeover (Hi, Lo and off) is available with a push-button switch provided in the unit

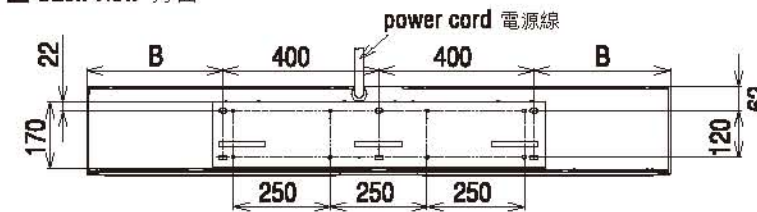
Front view 正面



Right view 右面



Back view 背面



Model		A	B
3009UA	mm	900	50
3012UA	mm	1200	200
3015UA	mm	1500	350

34

型號 Model No.	速度 Speed	風速 Air Velocity [m/s]	風量 Air Volume [CMH] / [CFH]	噪音水平 Noise Level [dB(A)]	耗電量 Power Consumption [Watt]	淨重 Net Weight [Kg]
3009UA	高 High	10.5	1100 (38,846)	48.5	76	12
	低 Low	8.5	920 (32,489)	45	70	
3012UA	高 High	9.5	1400 (49,441)	48.5	94	14.5
	低 Low	8	1270 (44,850)	44.5	85	
3015UA	高 High	10.5	2000 (70,629)	51.5	131	18
	低 Low	9.5	1800 (63,566)	48	110	

33

風閘 Air Curtain

風閘 Air Curtain