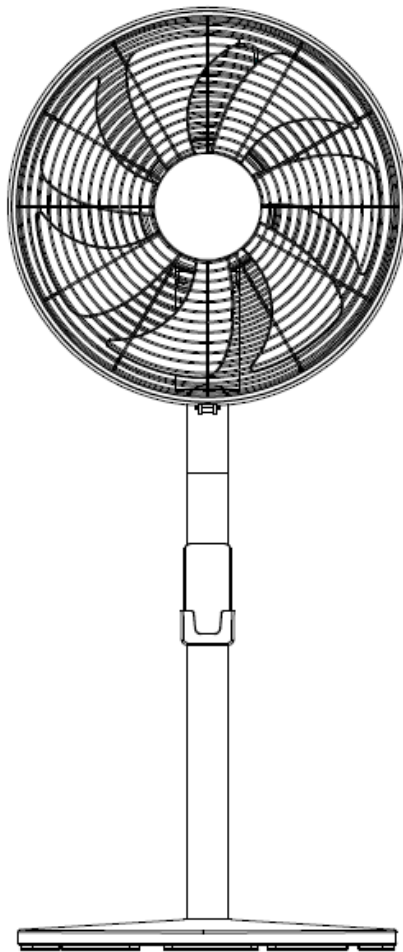




LIVING FAN 優美扇

OPERATION MANUAL 使用說明書

RLF-30KM



僅適用於家庭使用 For Household Use Only

使用前請先詳細閱讀本說明書，並保存以便日後參考。

本說明書中所有圖片僅供解釋用途。

Please read this user manual before using the product and keep it for your future reference.

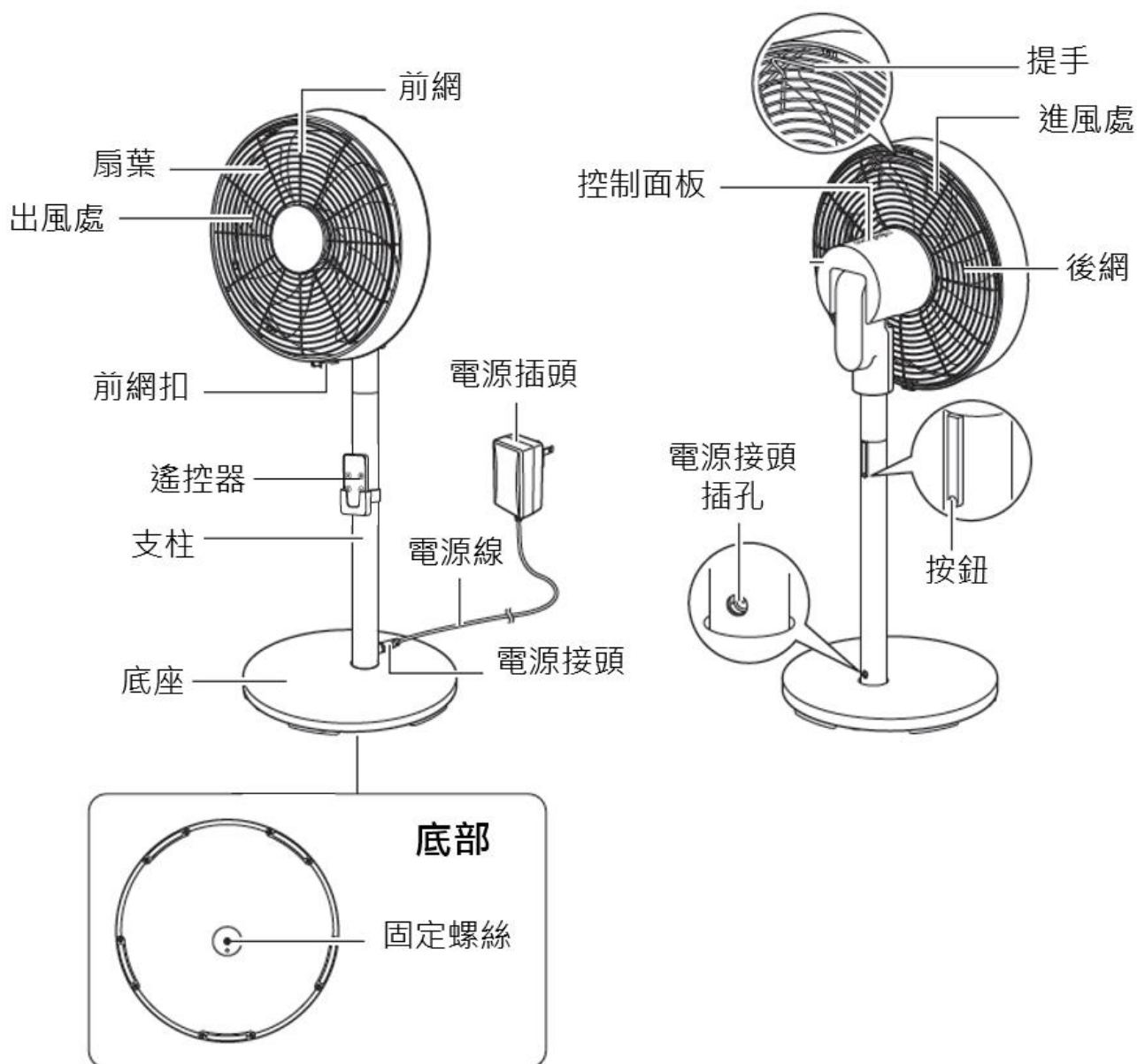
All the pictures in this manual are for reference only.

## **安全注意事項** (請務必詳細閱讀及遵守安全指導)

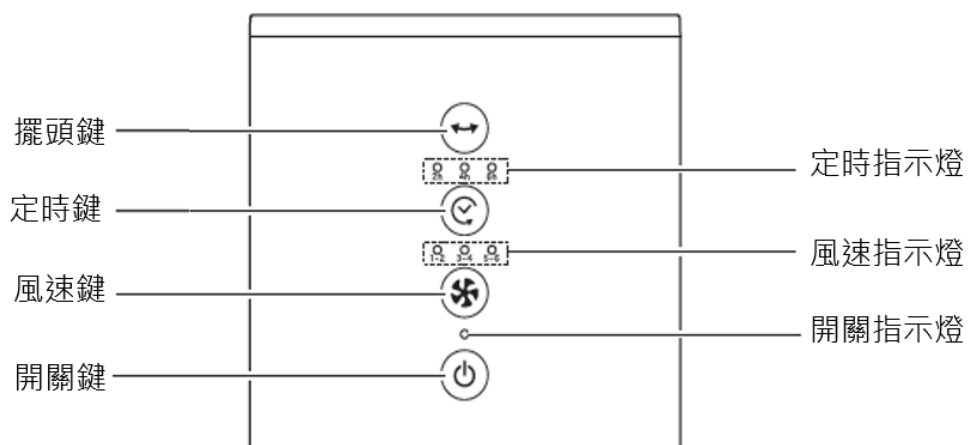
1. 請務必嚴格遵守以下說明之注意事項，以防止對使用者或其他人造成傷害或財物損失。
2. 用戶必須使用有安全認證的合格插座，否則，可能會引起火災的危險。
3. 此設備可供 8 歲以上兒童，肢體、感官、心智殘缺或缺乏經驗和知識的人使用，但他們必須已獲得監督和安全使用該設備的指導，並且了解其中的危害。兒童不應將本產品用於玩耍。不得讓兒童在沒有監督的情況下進行清潔和保養。
4. 本設備是不打算供與(包括兒童)身體，感官或智力有障礙，或缺乏經驗和知識人士使用，除非他們是在負責他們安全的人員監督或有關使用該設備的指示下使用。兒童應當受到監督以確保他們不會玩耍器具，請勿讓兒童爬上風扇。
5. 此風扇必須與原裝變壓器配合使用。使用前，確保變壓器與主體機身已徹底連接，否則會因接觸不良導致產品異常發熱或損壞。
6. 拔掉電源線插頭時須緊握，切勿拉扯電線。
7. 確保電源插頭完全插入插座，否則會引致觸電或插頭過熱而造成火災。
8. 要定期清除電源插頭及插座上之灰塵，否則引致絕緣不良而導致火災。
9. 若電源線有裸露或有損壞時，切勿使用本機。避免危險，必須交由信興電器服務中心有限公司維修。如果電源線損壞或產品出現故障，必須交由信興電器服務中心有限公司更換或維修，以避免危險。切勿自行拆卸、檢修，或更換非生產商提供的配件。
10. 切勿過度擰捏，彎曲或扭轉電源線，否則線芯可能會曝露在外或折斷，並引致觸電，短路，火災及產品損壞。
11. 嚴禁讓機體沾水，否則會導致漏電、短路、產品損壞及導致火災的可能。
12. 為避免過熱，禁止覆蓋機體。
13. 切勿將物品放置在機體上。
14. 手濕時切勿接觸風扇及電源插頭，否則有觸電的危險。
15. 請勿讓手指或其他異物插入機體任何通風或排氣口，這可能會導致觸電、身體損傷、火災或損壞機體。
16. 不可用力敲擊或震動機身。
17. 請勿在陽光直射下使用或保存產品。
18. 電源線要擺放好，防止行走時拌倒。
19. 風扇要放在平坦堅實的地面上使用。
20. 嚴禁在以下場所使用風扇: 接近氣體爐具/有易燃氣體的地方/有雨淋或容易被滴水的地方/接近殺蟲劑的地方/油性的腐蝕性溶劑附近/高溫的地方/潮濕的地方/在化學物品、油、多塵的地方
21. 機體上方不可掛滴水的衣物或受到雨淋，避免進水引致漏電危險。嚴禁將易燃物及未乾的衣物覆蓋在機器出風口上，避免發生火災或觸電危險。
22. 請勿在產品周圍噴灑殺蟲劑及可燃性噴霧劑，否則可能使產品受損。

23. 為了安全起見，當人離開產品時，必須關機，以免發生意外事件。
24. 避免將產品出風口長時間直接向嬰幼兒吹風。
25. 產品清洗或移除面蓋前必須先切斷電源並拔掉電源線插頭。
26. 產品外殼清潔時，應用濕布(或加點中性清潔劑)抹擦，不要用有腐蝕性的洗滌劑或溶劑之類清潔，嚴禁用水沖(淋)洗。
27. 不可將本機進、出風口貼近牆壁、窗簾等物品,否則會阻塞氣流,影響使用效果。
28. 本機在使用一段時間後,若出現異聲或風速不均勻的現象,可能是後殼進風口處的灰塵太多阻塞了氣流,此時用毛刷清潔一下後即可恢復正常。
29. 產品長期不使用時，應拔下電源插頭，包好本機防止灰塵進入機內，並放置乾燥通風處存放。

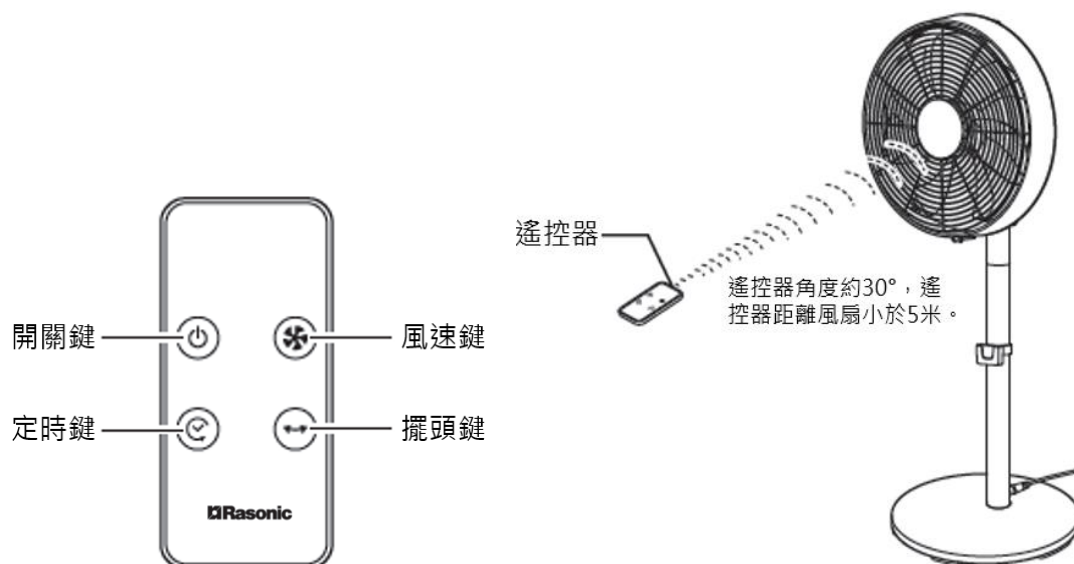
### 部件名稱



## 控制面板

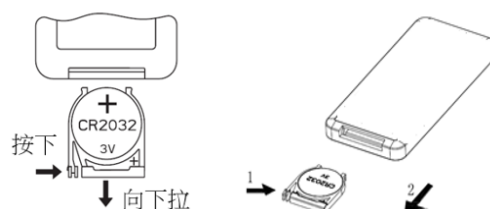


## 遙控器



## 更換遙控器電池

- ① 遙控器背面有一個電池盒，請在壓下電池盒側面的卡榫同時將其拉出。
- ② 取出舊電池，然後正面朝上放入硬幣形鋰電池(CR2032)。
- ③ 放入電池後，滑動電池盒，然後插入並固定電池盒。



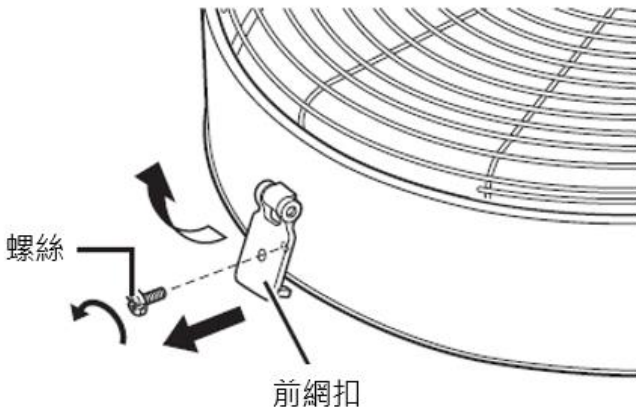
**警告：** 把鋰電池放在嬰幼兒接觸不到的地方。

## 清潔保養

1. 清潔、保養或移動產品前，必須先關閉產品，然後拔除電源插頭。必須待風扇完全停止轉動後才可清潔，以免受傷。
2. 確保在拆除前網後網前已關閉電源及拔除插頭。
3. 請使用濕潤軟布抹擦清潔風扇表面。
4. 清潔完畢，必須待產品完全乾燥，才可使用。

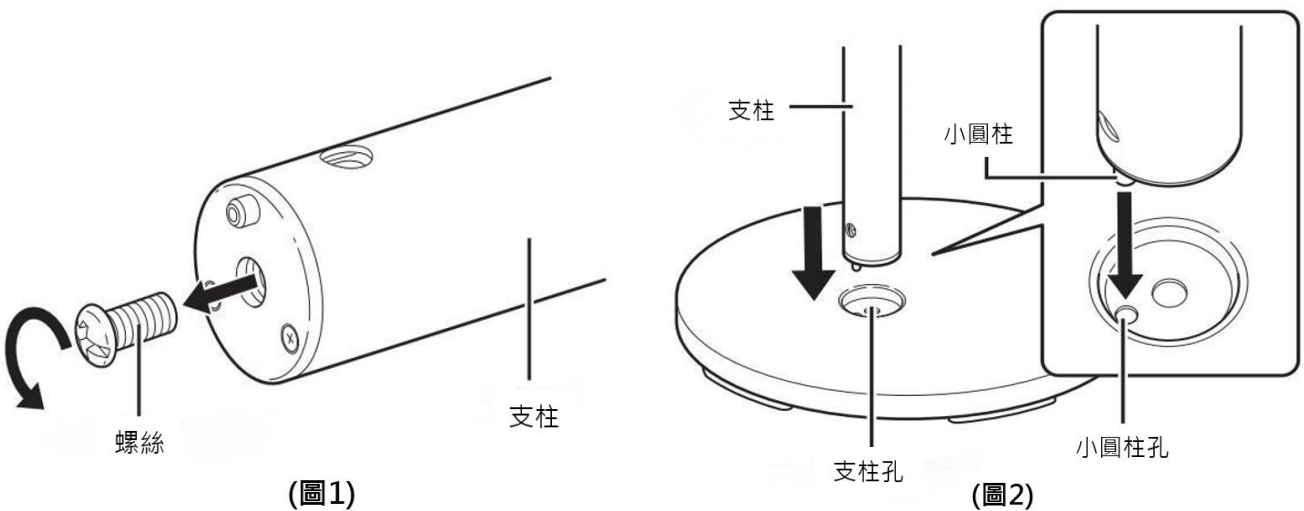
## 如何拆卸

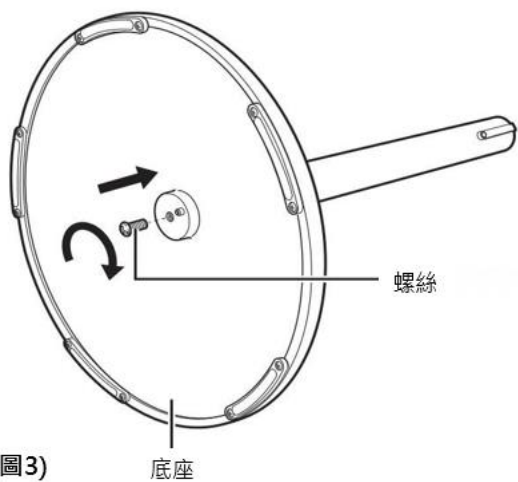
1. 用螺絲批拆下前網下方的固定螺絲。
2. 將前網扣往前提起，然後將前網由掛扣脫出，即可取下前網。



## 如何安裝

1. 將立柱連接到底座上
  - ① 用螺絲批從支柱取下底座的固定螺絲。(圖 1)
  - ② 將支柱底部突出的小圓柱和底座的小圓柱孔對齊並後連接好支柱和底座。(圖 2)
  - ③ 用螺絲批鎖緊底座的固定螺絲。(圖 3)

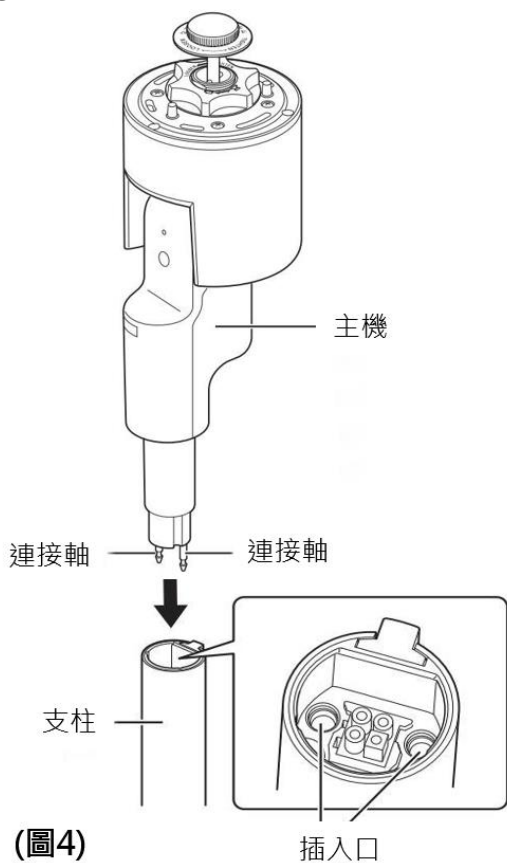




(圖3) 底座

## 2. 將主機安裝到支柱上

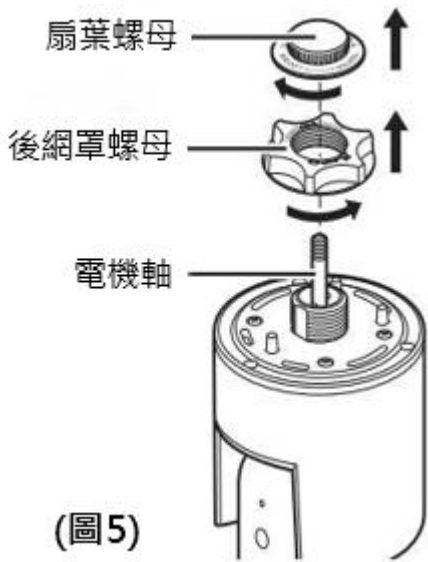
- ① 將主體的連接軸對準支柱的插入口。(圖 4)
- ② 將主機垂直插入支柱直至聽到喀嗒聲。(圖 4)



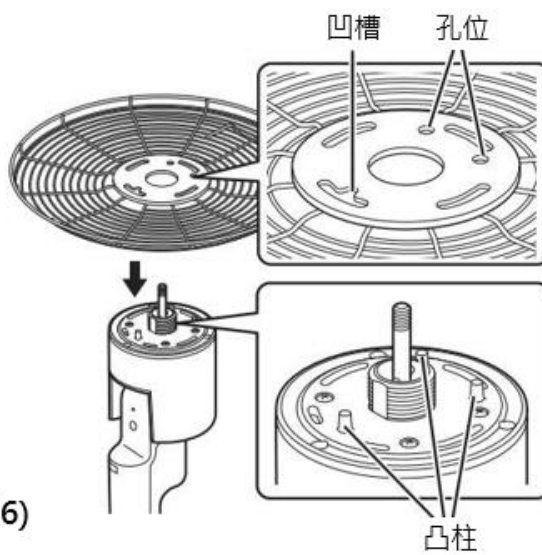
(圖4) 插入口

## 3. 安裝後網罩

- ① 由電機軸上取下扇葉螺母和後網罩螺母。(圖 5)
- ② 將後網的孔位和凹槽與電機的凸柱對齊並裝入。(圖 6)
- ③ 將後網罩螺母順時針方向鎖緊。(圖 7)

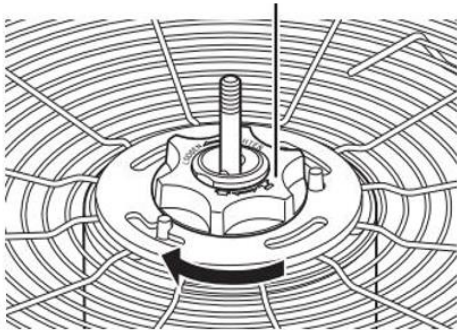


(圖5)



(圖6)

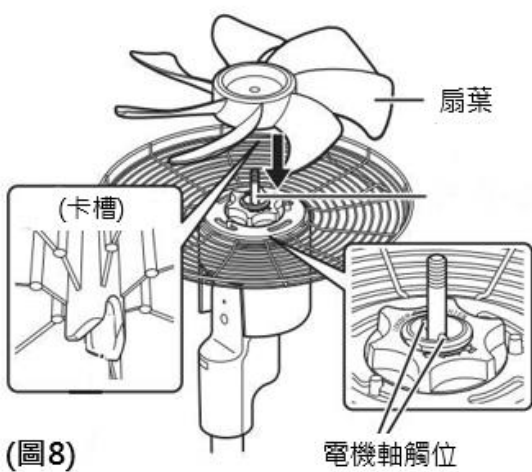
鎖緊後網罩螺母



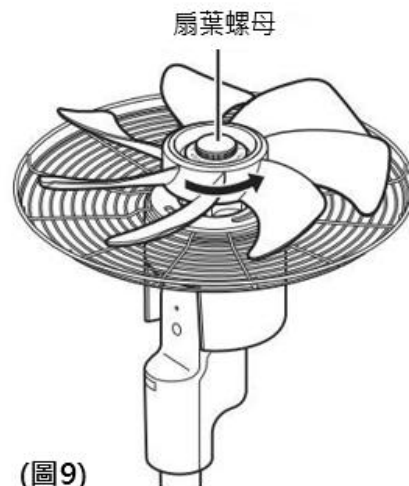
(圖7)

#### 4. 安裝扇葉

- ① 確保扇葉的卡槽對準電機軸的觸位，將扇葉插入。(圖 8)
- ② 逆時針鎖緊扇葉螺母。(圖 9)



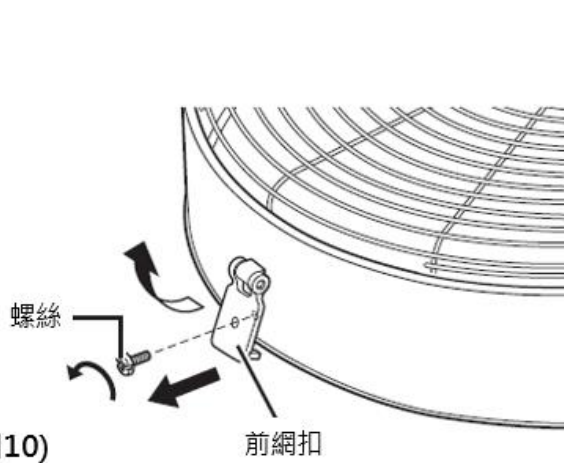
(圖8)



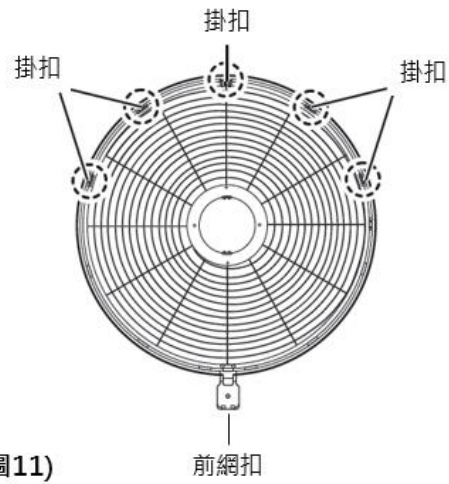
(圖9)

## 5. 安裝前網

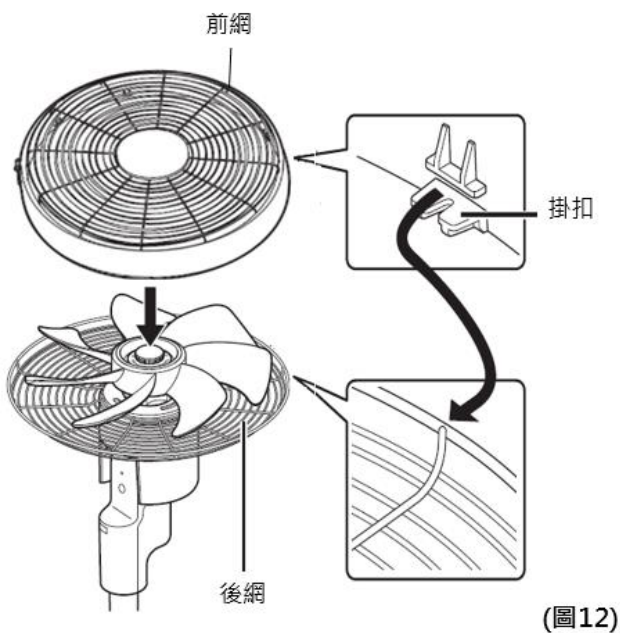
- ① 用螺絲批將前網固定螺絲拆下，然後打開前網扣。(圖 10)
- ② 將前網 5 個掛扣扣入後網罩。(圖 11 & 12)
- ③ 按下前網的下半部份，固定好後網罩並扣上網扣，鎖緊螺絲。(圖 13)



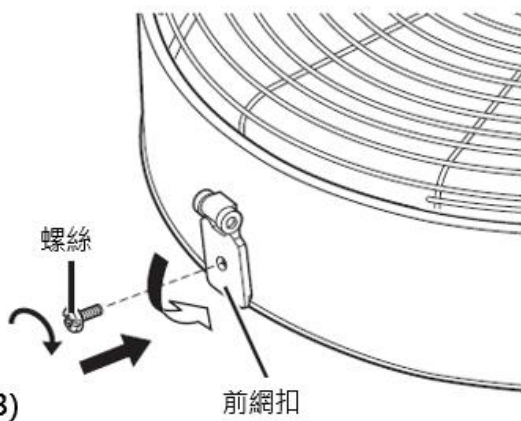
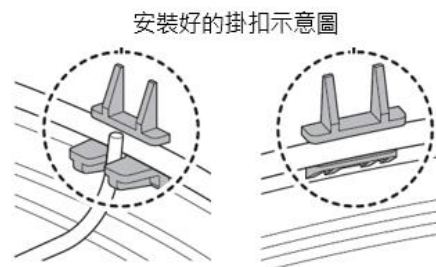
(圖10)



(圖11)



(圖12)



(圖13)







### 其他注意事項：

1. 安裝時，請確保扇葉已完全嵌入，否則扇葉可能無法轉動及正常運作。
2. 切勿將電源線、插頭或主機浸在水中清潔或在水龍頭下沖洗，風扇內部零件不可沾水。
3. 切勿使用鋼絲刷、汽油、火酒、醋或其他揮發、有毒或含腐蝕性液體清潔產品，以免損壞產品。用微濕的布清潔風扇表面即可。
4. 儲存時，切勿將電源線纏繞在產品四周或壓住電源線，以免造成電源線損壞。
5. 建議最少每個月清潔產品一次。
6. 如長時間不使用產品，請將產品收藏回包裝盒內並放置在乾燥陰涼且安全的地方。

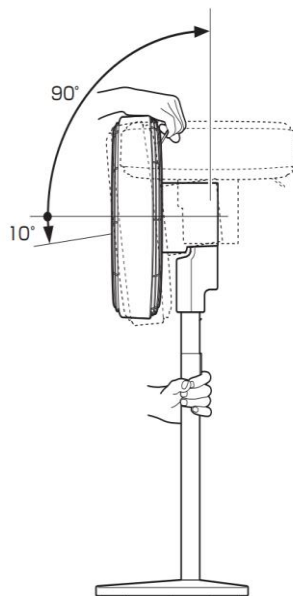
### 操作說明

把風扇放在一個穩定的平面上使用。先將配送的適配器端子與風扇連接，再將適配器上的電源插頭連接到一個合適的電源插座上 (220V-240V~ 50-60Hz)。觸摸風扇操作面板按鍵位或遙控器，則可啟動相應的功能。

	<b>開關鍵：</b> 按此鍵可啟動或關閉設備。
	<b>擺頭鍵：</b> 按此鍵可開啟或關閉左右搖頭功能。
	<b>定時鍵：</b> 選擇所需的定時關機時間 2 / 4 / 6 小時。
	<b>風速鍵：</b> 本機備有 6 段風速，每按此鍵一次即可切換風量/增加一檔風量。

### 調節俯仰角度

按住風扇本體向上/下擺，可以調節俯仰角度，風向可自由選擇。



## 規格

產品型號	RLF-30KM
顏色	炫灰色
額定電壓	24 伏特(直流電)
額定功率	18 瓦
外型尺寸 ( 寬×深×高 )	350 x 300 x 827 毫米
淨重	4.05 公斤

## 特別聲明

1. 本資料上所有內容經過認真核對，如有任何印刷及內容上的誤解，本公司將保留解釋權。
2. 本產品若有技術改進，會編進新版說明書中，恕不另行通知；產品外觀及顏色如有改動，則以實物為準。
3. 用戶如需要電子版使用說明書，請致電信興電工工程有限公司熱線查詢：2861 2767。

## 售後服務

由購買日期起之一年保修期內，經信興電器服務中心有限公司之服務人員證實乃在正常使用之情況下發生者，本公司將提供免費修理及更換零件。經更換之任何損壞零件，將歸屬本公司。保修範圍不包括修理或更換產品之附件、外接線及機殼等，如有需要服務時，用戶須另付費用。用戶請於維修時出示購買收據 / 換購收據及保修證，如有任何疑問，請致電信興電器服務中心有限公司熱線查詢：2406 5666。

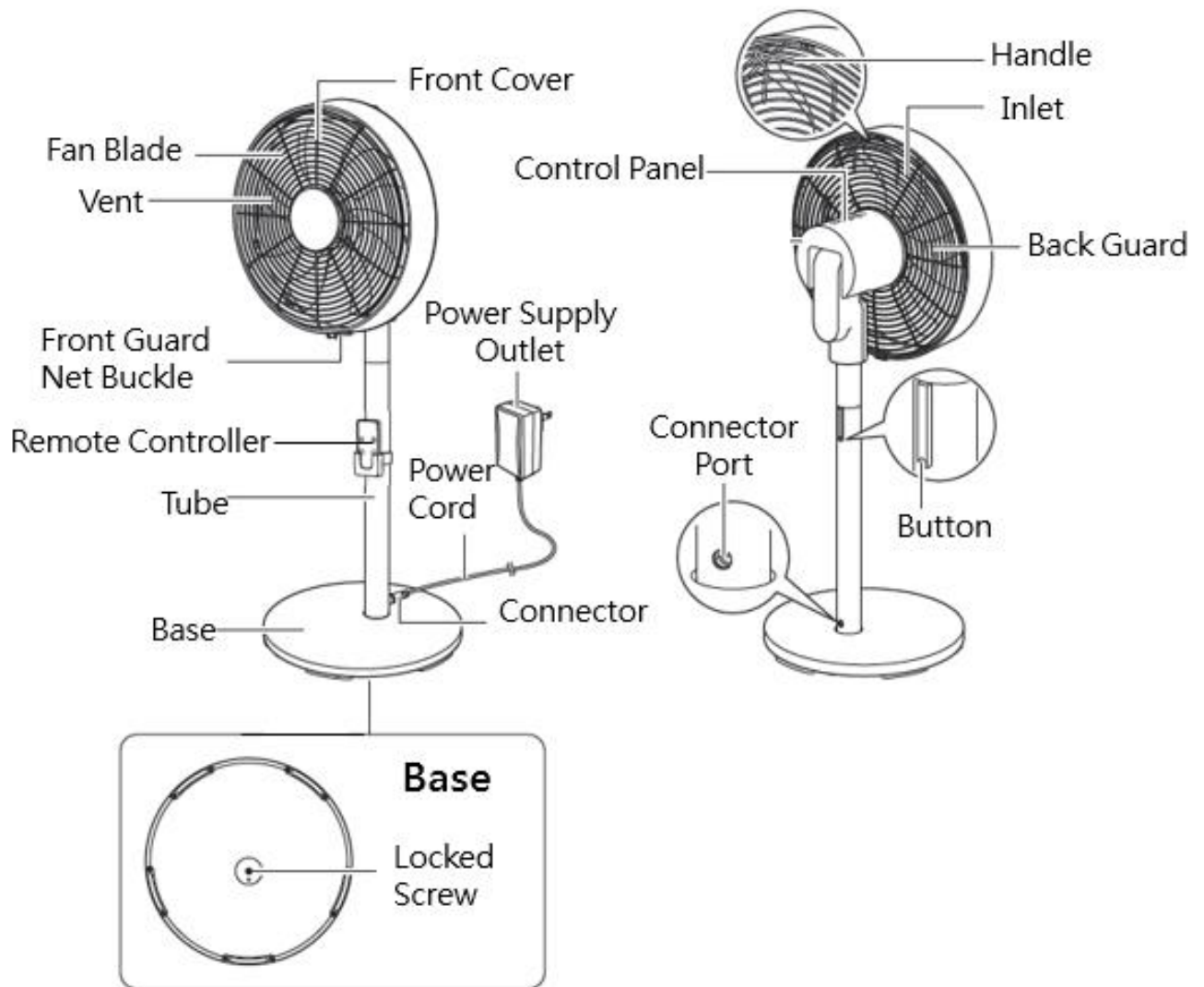
如在保修證內所列之電器：1.) 曾經被非本公司技術人員明顯地或非明顯地進行改裝、更改或修理；或 2) 曾經被錯誤或不適當或疏忽使用、或因液體浸蝕、水濺、不正常供電、天災、意外或外來因素造成損壞；或 3) 並非安裝在陸上固定地點；或 4) 不當安裝位置影響正常操作；或 5) 非工商業用型號產品，被用作工商業用途；或 6) 用戶搬遷地址或更換物主而未能及時通知信興電器服務中心有限公司者，保修證將自動失效。

### **SAFETY PRECAUTIONS (Be sure to read carefully and follow these safety instructions)**

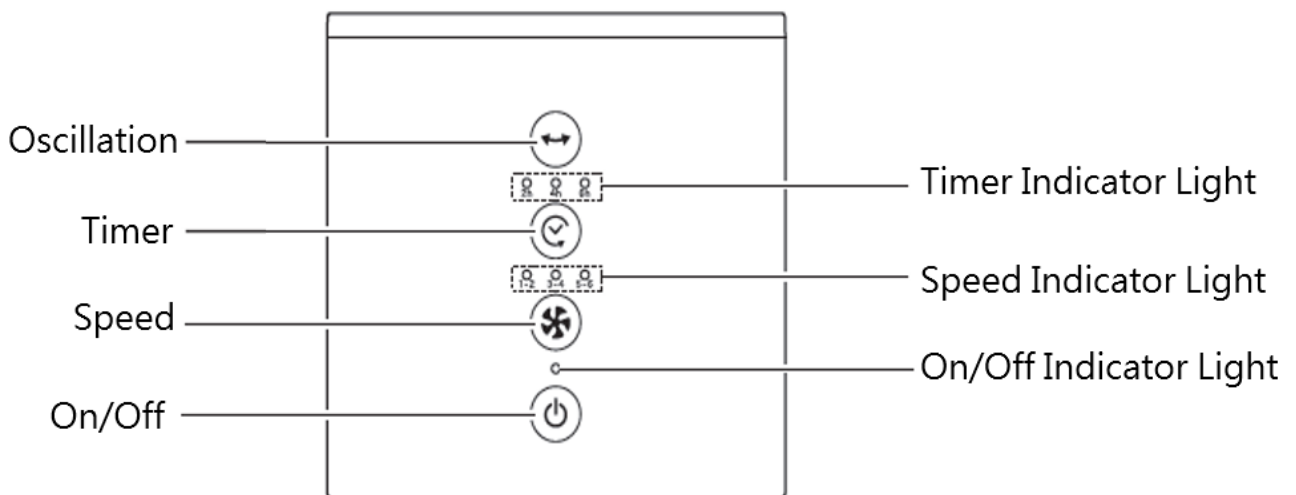
1. Be sure to read the following safety precautions, in order to avoid possible injury to yourself or others and damage to your belongings.
2. The user must use qualified socket with safety certification, or it may cause fire.
3. This appliance can be used by children aged from 8 years and above and persons with reduced physical, sensory or mental capabilities or lack of experience and knowledge if they have been given supervision or instruction concerning use of the appliance in a safe way and understand the hazards involved. Children shall not play with the appliance. Cleaning and user maintenance shall not be made by children without supervision.
4. The appliance is not to be used by persons (including children) with reduced physical, sensory or mental capabilities, or lack of experience and knowledge, unless they have been given supervision or instruction. Do not allow children to climb on the fan.
5. Only use the fan with the original adapter. Make sure that the adapter and main body are well connected before use, otherwise it will cause the appliance overheat or damage due to contact failure.
6. Hold the main plug when disconnect from the power supply, never pull the supply cord.
7. Make sure main plug is fully inserted into socket. Loose engagement of main plug and socket may cause electric shock or fire due to overheating of the main plug.
8. Wipe off dust on the main plug and socket periodically. Accumulation of dust on main plug may cause poor insulation and may result in fire.
9. Do not use the fan when the power cord or main plug is damaged. If the supply cord is damaged, it must be replaced by the Shun Hing Electric Service Centre Limited in order to avoid the hazard. If the power cord is damaged or the fan is malfunction, please take the fan to Shun Hing Electric Service Centre Limited for repairing. Do not disassemble, repair or replace with parts and accessories without authorities.
10. Do not pinch, bend, or twist the power cord excessively. The core conductors may be exposed or broken which may cause electric shock, short circuit, fire and product damage.
11. Do not contact with water. It may cause electric leakage, short circuit, product damage and fire.
12. Do not cover the fan in order to avoid overheating.
13. Please do not put any object on the fan body.
14. Never touch the fan and power plug with wet hands to avoid electric shock.

15. Do not insert fingers or conductive object into the front and back air outlets of the machine to avoid the risk of electric shock, human injury, fire or damage of appliance.
16. Avoid any concussions or shocks to the fan.
17. Do not use or place the fan in the sunshine.
18. Put the power cord correctly in case trip over by it.
19. Put the fan on the flat and stable ground when using the fan.
20. Do not use the fan under the following situation: Near gaseous fuel cooker/ Place with full of inflammable gas/ Place exposed to rain or water drop/ Near insecticide/ Oil corrosive solvent/ High temperature/ High humidity/ Near chemical, oil and dust area
21. Please do not let the rain drop or hang wet clothes over the machine so as to avoid current leakage and electric shock; Please do not put flammable materials and wet clothes covered on the air outlet so as to avoid risk of fire or electric shock.
22. Please do not spray insecticide, solvent or flammable liquid to the fan as it may cause damage to the fan.
23. Please shut down the machine before the user leave the machine so as to avoid accidents.
24. Avoid continuously exposure of direct wind from the fan especially to infant and children.
25. The power must be cut off and unplugged before cleaning or maintenance. Ensure that the fan is switched off from the supply main before removing guard/ cover.
26. Please clean the machine by using a damp cloth (or a damp cloth with some mild detergent), do not use corrosive detergent or solvent and such similar cleaning products, do not pour water into the machine.
27. Please do not put the air intake and outlet of the fan close to the wall or curtain, otherwise the air flow will be blocked and affect the fan performance.
28. If it occurs problems of abnormal sound or uneven wind speed after using for some times, perhaps there is too much dust in the air intake grid and make the air flow blocked, the fan could get right by cleaning the fan with a plastic brush.
29. Cut off the power if the unit is not used for a long period of time. Pull out the plug, pack the fan well to protect it away from dust and keep it in the dry, well-ventilated and clean place.

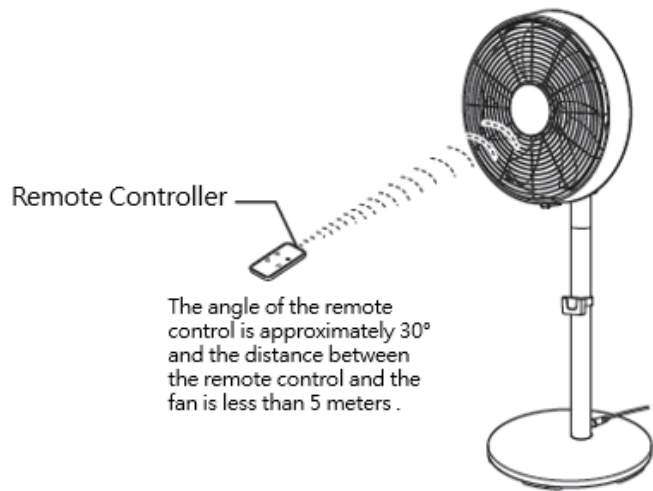
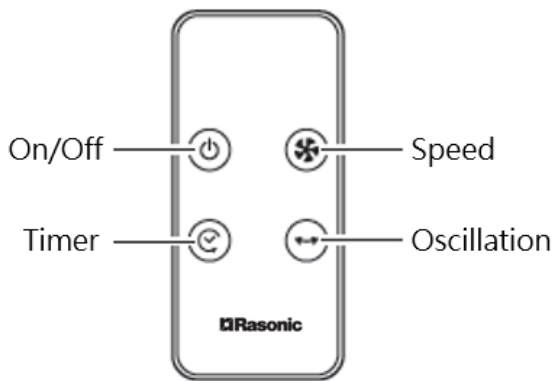
Part Name



Control Panel

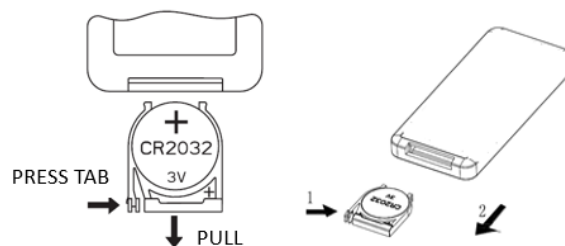


## Remote Controller



## Battery Replacement

- ① Pull out the battery case from the back of remote controller, press tab toward to right and pull out the battery holder.
- ② Replace the coin lithium battery into the battery holder, keep the positive pole upwards (3V CR2032).
- ③ After inserting the battery, slide the battery box, then insert and fix the battery box.



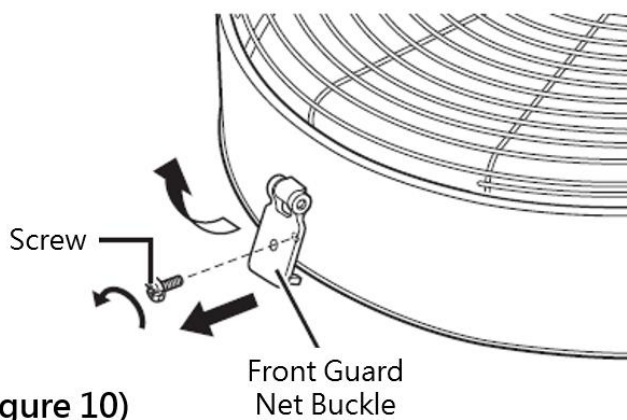
 **WARNING:** Keep the lithium battery out of reach of small children.

## Cleaning and Maintenance

1. Always unplug the unit before cleaning, maintenance or moving. To avoid danger, unplug the unit and wait until the fan stop running before cleaning.
2. Ensure that the fan is switched off from the supply mains and unplug before removing the guard.
3. Clean the surface of fan with a soft damp cloth.
4. After cleaning, please dried up the fan before use.

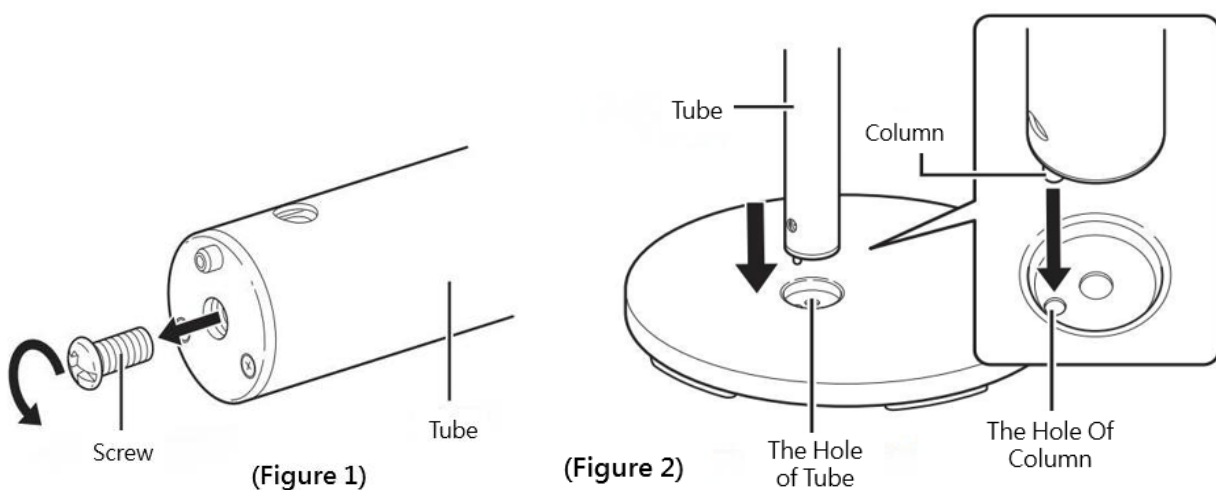
## How To Disassemble

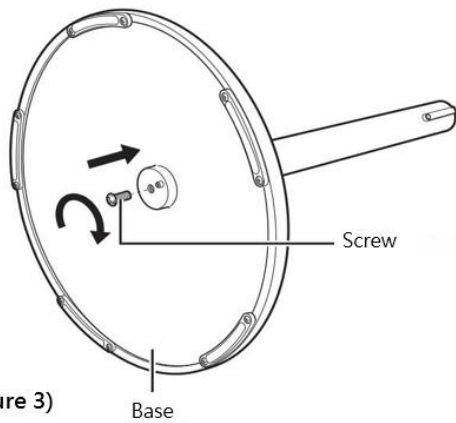
1. Remove the screw under the front guard by screwdriver.
2. Pull the net buckle, and then remove the front guard.



## Installation

1. Joint the tube to the base
  - ① Remove the screw from the base of tube by screw driver. (Figure 1)
  - ② Align the hole of column with column of the tube, then install the tube to the base. (Figure 2)
  - ③ To lock the screw by screwdriver. (Figure 3)

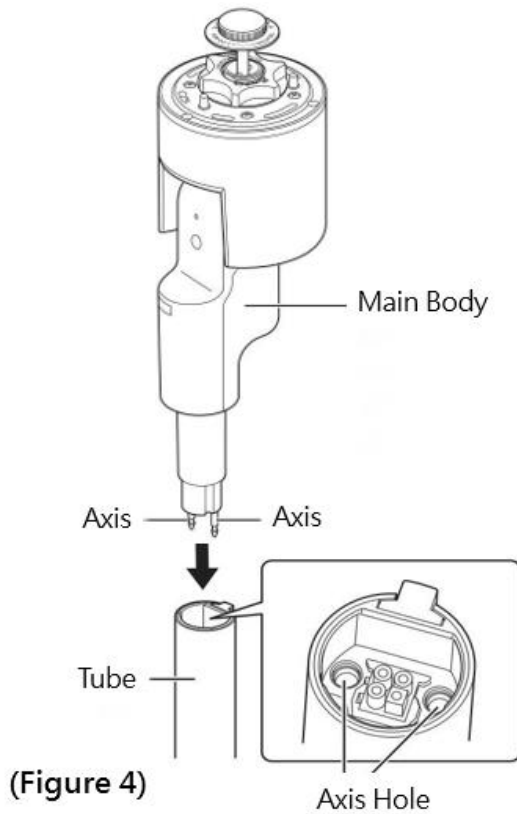




(Figure 3)

## 2. Joint the main body to the tube

- ① Align the axis of main body with the axis hole of tube. (Figure 4)
- ② Inserted the main body vertically into the tube until hear "click" sound. (Figure 4)

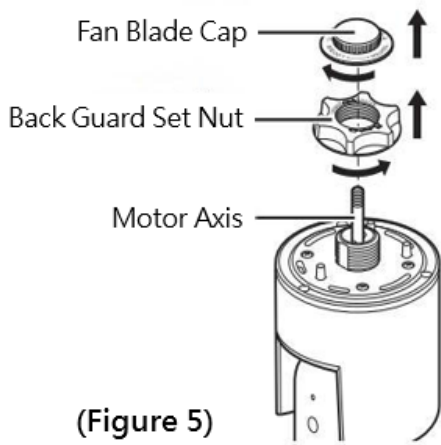


(Figure 4)

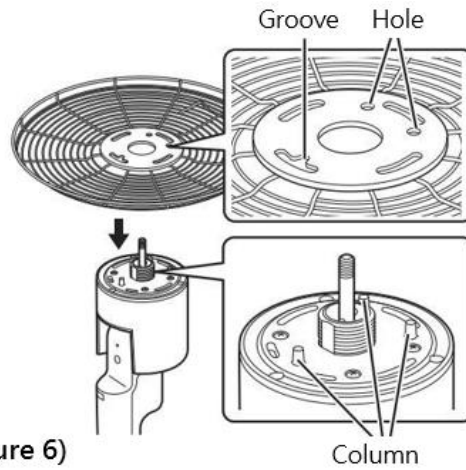
## 3. Install back guard

- ① Uninstall fan blade cap and back guard set nut. (Figure 5)
- ② Align the groove and hole of back cover with the column on the motor. (Figure 6)
- ③ Tighten the guard set nut in a clockwise direction. (Figure 7)



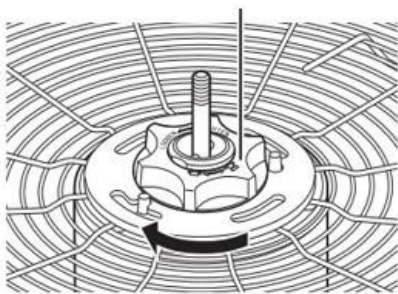


(Figure 5)



(Figure 6)

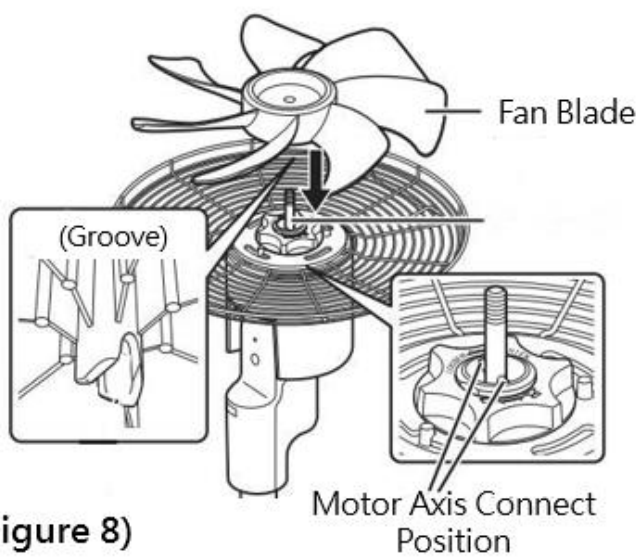
Tighten The Guard Set Nut



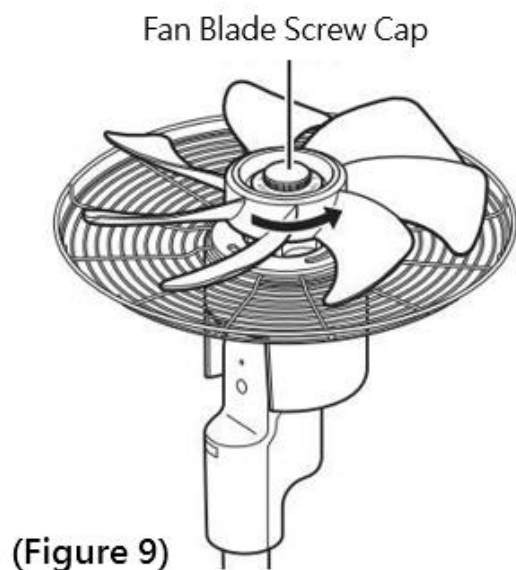
(Figure 7)

#### 4. Install fan blade

- ① Align the groove of fan blade with motor axis connect position, then install it on the motor. (Figure 8)
- ② Tighten the fan blade screw cap in anticlockwise direction. (Figure 9)



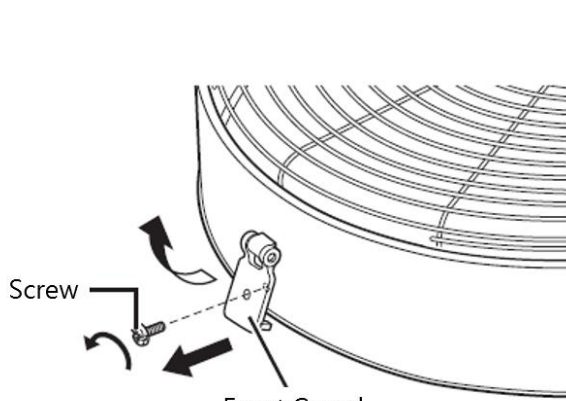
(Figure 8)



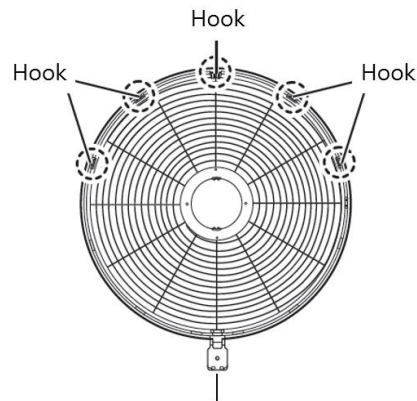
(Figure 9)

## 5. Install front guard

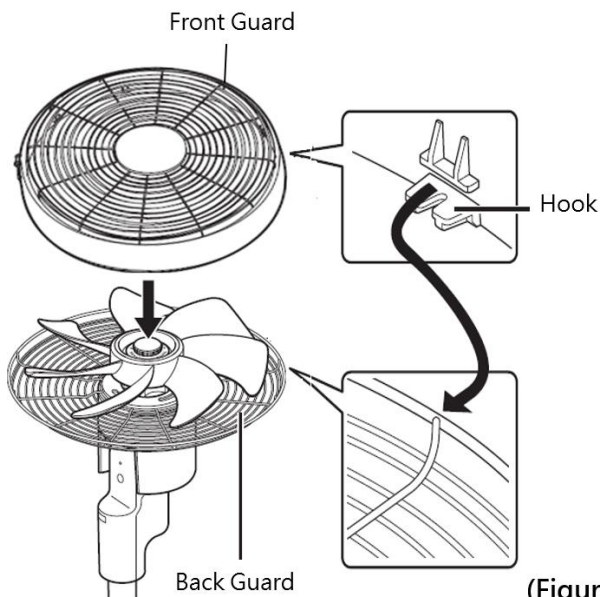
- ① Remove the screw under the front guard by screwdriver, pull the front guard net buckle and remove the front guard. (Figure 10)
- ② Align the hook of front guard with install position of back guard. (Figure 11 & 12)
- ③ Close the underside net buckle of front guard to fix the cover, use screwdriver to lock the screw. (Figure 13)



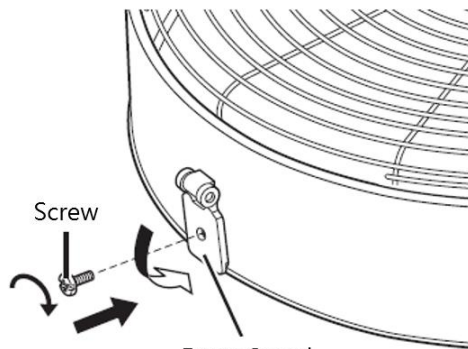
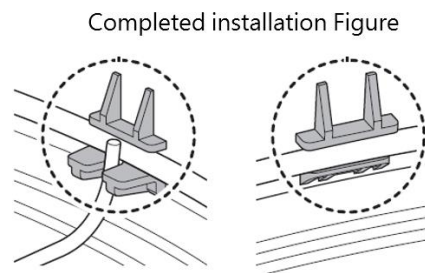
(Figure 10)



(Figure 11)



(Figure 12)







(Figure 13)

### Additional Advices

1. While installing the unit, make sure fan blade is inserted completely. If not, the fan blade could not rotate and the unit could not work properly.
2. Do not immerse the power cord, plug and the whole unit into water or rinse under the tap. The internal components are not allowed to get wet.
3. Do not use metal brush, gasoline, isopropanol, vinegar, poisonous or corrosive detergent to clean the unit to avoid damage of the appliance. Use a damp cloth to clean the surface of fan.
4. When store, never wrap the power cord tightly around the appliance or put any pressure to the power cord so as to avoid power cord damage.
5. It is recommended to clean the fan every month.
6. If the fan will not be used for a long time, store it in the cool, dry and safety place.

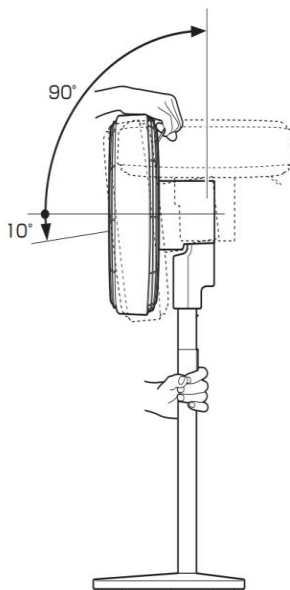
### Instruction

Place the fan on a stable flat surface. Connect the supplied adapter terminal to the fan first, then insert the adapter power plug into a 220V-240V~50-60Hz electrical power supply outlet. Press the buttons on control panel or remote control to select function.

	<b><u>On/Off:</u></b> Press the button to turn on or turn off the unit.
	<b><u>Oscillation:</u></b> Press the button to turn on or turn off the left / right oscillation function.
	<b><u>Timer:</u></b> Set your desirable timer (2/4/6 hour) by pressing timer button.
	<b><u>Speed:</u></b> Set your desirable fan speed (1-6 speed) by pressing speed button. Fan speed will be increased in one speed when press the speed button each time.

### Adjust the wind direction

Hold the fan up or down to adjust the wind direction.



### SPECIFICATION

Model	RLF-30KM
Colour	Metallic Grey
Rated voltage	24Vd.c.
Rated power	18W
Dimension ( W×D×H )	350 x 300 x 827mm
Net weight	4.05 kg

### SPECIAL AVOWAL

1. The information above has been checked. Our company reserves the hermeneutic power to any printing errors or misunderstanding on the content.
2. If there are technical improvements on the appliance, the operation manual will be updated without any prior notice. The product appearance and color are subject to the actual appliance.
3. The e-copy of user manual can be sent by e-mail on requested, please call Shun Hing Electric Works & Engineering Co. Ltd. hotline at 2861 2767.

## **AFTER SALES SERVICES**

For any defect, in the judgment of technician from Shun Hing Electric Service Centre Limited, caused under normal use, we are responsible for repairing or replacing parts of the said electrical appliance free of charge within one year guarantee period commencing from the date of purchase. Any defective part which has been replaced shall become our property. Guarantee service does not cover the repair or replacement of accessories, external cables or cabinet, etc. Additional charges shall be levied if services are required. Please present the official invoice and the guarantee certificate with the sales point's chop or the redemption center's chop for free maintenance. For enquiries, please call Shun Hing Electric Service Centre Limited hotline at 2406 5666.

Free guarantee service will not be provided to the fan if: 1) it has been explicitly or implicitly modified, tampered with, altered or repaired in any way by persons other than technicians of the Company. Or 2) it has been damaged through misuse, negligence, liquid ingress or corrosion, power interruption, natural calamities or accident or external factors. Or 3) it is not a fixed installation on land. Or 4) the normal operation of the fan is affected by improper installation. Or 5) the domestic model of fan is used for industrial or commercial purpose. Or 6) the change of location or ownership of the fan and did not inform Shun Hing Electric Service Centre Limited.

**信興電工工程有限公司**

**SHUN HING ELECTRIC WORKS & ENGINEERING CO., LTD**

辦公室: 香港九龍尖沙咀東部麼地道 67 號半島中心 9 樓

OFFICE: 9/F, PENINSULA CENTRE, 67 MODY ROAD, TSIMSHATSUI EAST, KOWLOON, HONG KONG

電話 TEL: (852) 2861 2767

傳真 FAX: (852) 2865 6706

網址 WEBSITE: [www.rasonic.com](http://www.rasonic.com)

電郵 EMAIL: [shew@shunhinggroup.com](mailto:shew@shunhinggroup.com)

**保養及維修 MAINTENANCE AND REPAIR SERVICE**

**信興電器服務中心有限公司**

**SHUN HING ELECTRIC SERVICE CENTRE LTD.**

辦公室: 香港新界葵涌勝耀街2號信興中心11樓

OFFICE: 11TH FLOOR, SHUN HING CENTRE, 2 SHING YIU STREET, KWAI CHUNG, NEW TERRITORIES, HONG KONG

電話 TEL: (852) 2406 5666

傳真 FAX: (852) 2408 0316

網址 WEBSITE: [www.shesc.com](http://www.shesc.com)

**消耗品/附件銷售熱線 CONSUMABLES/ ACCESSORIES SALES HOTLINE**

電話 TEL: (852) 2406 5666

**客戶服務中心 CUSTOMER SERVICE CENTRES**

香港新界葵涌勝耀街2號信興中心1樓

1ST FLOOR, SHUN HING CENTRE, 2 SHING YIU STREET, KWAI CHUNG, NEW TERRITORIES, HONG KONG

電話 TEL: (852) 2406 5439

傳真 FAX: (852) 2408 1389

澳門慕拉士大馬路193-199號南嶺工業大廈5樓I座

AVENIDA DE VENCESLAU DE MORAIS, NO. 193-199, 5 ANDAR-I, EDF. INDUSTRIAL NAM LENG, MACAU

電話 TEL: (853) 2836 2928

傳真 FAX: (853) 2833 6405

有關最新之客戶服務中心資訊, 請參閱信興服務中心網址: [www.shesc.com](http://www.shesc.com)或致電維修服務熱線查詢。

For the latest information of customer service centres, please visit [www.shesc.com](http://www.shesc.com) or call us at our hotline.